

# 卡丽 KARAT<sup>®</sup>

## 安装说明书 INSTALLATION INSTRUCTIONS

美乐双冲蹲便器水箱  
MILANO DUAL FLUSH SQUAT TANK  
21968T-WK

### BEFORE YOU BEGIN

Please read these instruction carefully familiarize yourself with the required tools, materials, and installation sequences. Follow the sections that pertain to your particular installation. This will help you avoid costly mistakes. In addition to proper installation, read all operating and safety instructions.

All information in these instructions is based upon the latest product information available at the time of publication. Karat reserves the right to make changes in product characteristics, packaging, or availability at any time without notice.

These instructions contain important care, cleaning, and warranty information, **please leave instructions for the consumer**

#### NOTES:

Flush the water supply pipes thoroughly to remove debris.

1. Please read all the instructions carefully and install the product step by step according to the procedures. This will help you avoid product damage or personal injury due to improper operation.
2. Please do not use in-tank cleaners containing chlorine, calcium hypochlorite or any other chemical elements. These cleaners will seriously damage the tank and the fittings in the tank, which will cause tank leakage. Our company shall not be responsible or liable for any damage to the tank or the tank fittings caused by using the above mentioned cleansers
3. The product functions at the water temperature between 2°C and 45°C.
4. The product functions at the pressure range between 0.02Mpa and 0.8Mpa.
5. The water supply connector of the product is the standard connector G1/2 " .
6. Keep the product away from high temperature.

### 安装之前

请仔细阅读说明书，熟悉所需工具、材料和安装顺序，参照相关章节完成您所需的安装，以避免昂贵的损失，除了正确的安装外，请详阅所有的操作和安全说明。

本说明书所含的一切资料均以印刷时所有的最新产品为准，我公司保留权利随时更改产品特性、包装或供应情况，恕不另行通知。

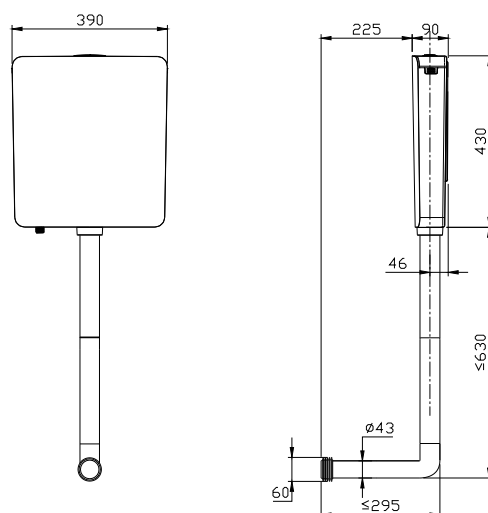
本说明书也包含了有关保养、清洁及产品担保等重要信息-请交予用户保存。

#### 注意事项:

- 安装前一定要先彻底清洗供水管道中的杂质。
1. 仔细阅读所有的操作及安装说明，按照说明书的步骤一步一步安装，以避免产品损坏或不良操作导致的人体伤害。
  2. 请不要在水箱内外使用腐蚀清洁剂或溶剂，或任何化学成份用剂，含氯或次氯酸钙的清洁剂或溶剂会严重地破坏水箱和水箱配件，导致漏水。因使用上述清洁剂或溶剂而使水箱和水箱配件不能正常使用或出现其它连带性的损坏，本公司恕不负责。
  3. 本产品工作的水温范围为：2°C-45°C。
  4. 本产品工作的水压范围为：0.02Mpa-0.8Mpa。
  5. 本产品进水接头为标准接头：G1/2 " 。
  6. 本产品不要与高温物体接近或接触。

### ROUGHING-IN

### 尺寸图



UNIT:mm  
单位：毫米

# INSTALLATION

Note: Unless otherwise stated, all dimensions in this specification are in millimeters.

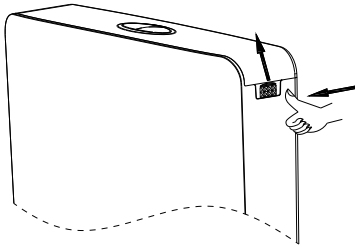
○ The floor after the completion of the project.

## 1. Open the cover:

Press the button on the cover with your thumb and push the cover up. Take out all the relevant accessories.

### 1. 开上盖:

用大拇指按压上盖上的按钮，并向上推开上盖，取出所有相关配件。



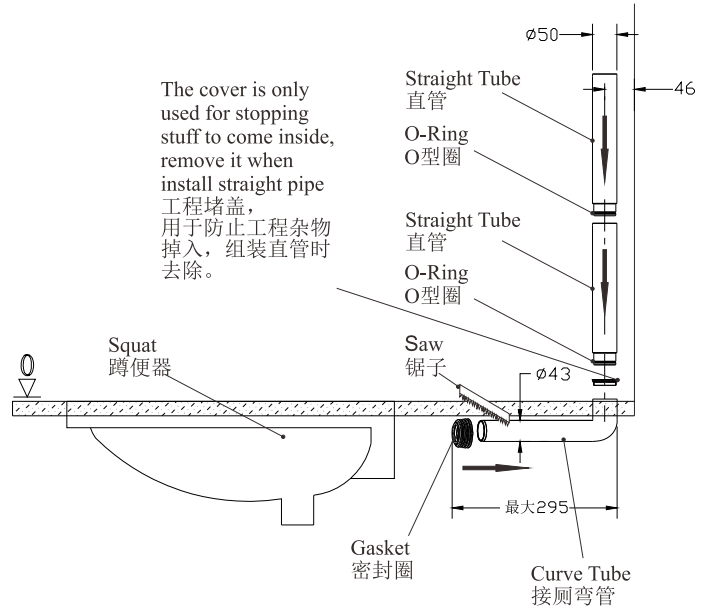
注：本说明书除特别说明外，所有尺寸单位均为毫米，

○ 工程完成后的地板。

## 2. Sheathe the big end of the siphon connecting to the closetool with a blanking cap and sheathe the small end with a corrugated gasket. Connect the siphon to the flushing hole. Cut off a section of the siphon on the small end if it is too long.

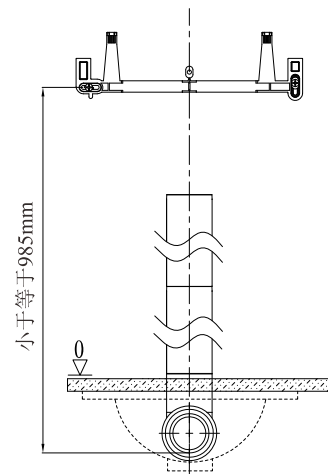
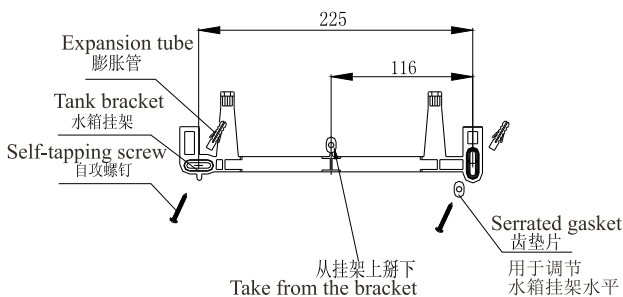
2. 将接厕弯管大端套上工程堵盖，小端套上波纹垫后，接入蹲便器冲水孔，如果接厕弯管偏长，可以根据实际需要

将接密封圈的一端锯掉部分。



3. Based on the sizes shown below, insert both of the left and the right expansion tubes into the  $\Phi 6.0$  holes already drilled on the wall.

3. 将左右两根膨胀管按以下尺寸打入墙上已钻好的  $\Phi 6.0$  孔内，将水箱挂架如下图所示用自攻螺钉固定在墙上。



#### 4. Installation diagram of the drain pipe and water tank

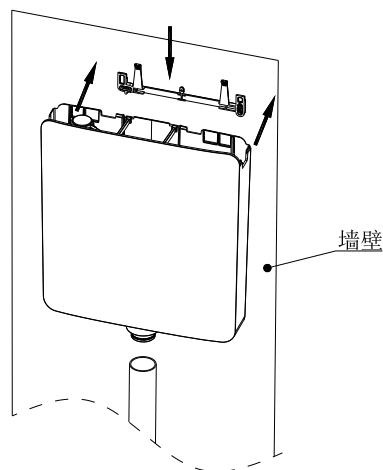
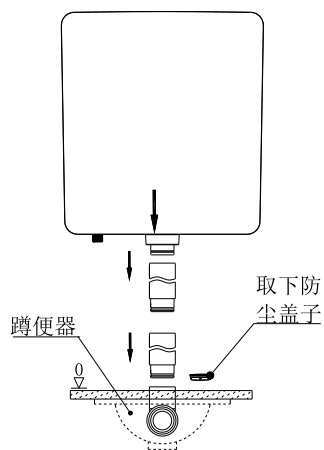
#### 4. 排水管及水箱安装图解：

1) Remove the dust cover and install the drain assembly (see: Installation Instructions of Water Tank Drain Assembly). Sheathe the drain valve hole on the bottom of the water tank into the straight pipe.

1) 取下防尘盖子，安装排水管组件（详见：水箱排水管组件安装说明），并将水箱底部排水阀口套入直管。

2) Move and adjust the water tank to properly install it on the water tank rack fixed on the wall. Then, close the cover.

2) 移动调整水箱使水箱卡入固定在墙壁上的水箱挂架。调整水箱至自然放置状态，然后盖上水箱上盖。



#### 水箱内部零件清单

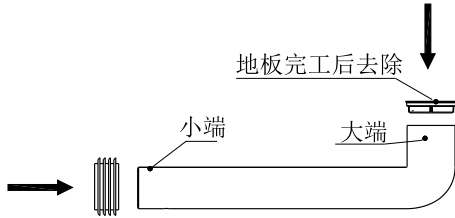
描述	示意图	数量	颜色	备注
O-Ring O型圈		2	黑色	套在直管上面
Straight Tube 直管		2	白色	一端套有一个O型圈
Curve Tube 接厕弯管		1	白色	大端装配工程堵盖
Cover 工程堵盖		1	黑色	安装在弯管大端
Gasket 密封圈		1	黑色	放在配件袋内
Hardware Pack 安装组件		1	白色	
Screw 螺钉		各2	黑色	包装于小袋子中
Installation Instruction 说明书 合格证		各1		

### 5, Installation Instructions of Water Tank Drain Assembly

#### 5, 水箱排水组件安装说明

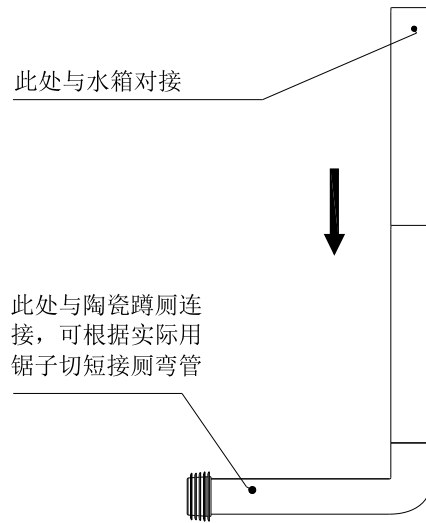
1) Sheathe the big end of the siphon connecting to the closetool with a blanking cap and sheathe the small end with a corrugated gasket.

1) 将接厕弯管大端套上工程堵盖，小端套上波纹垫；



2) Connect the straight pipe to the straight pipe and connect the siphon to the straight pipe, as shown in the figure.

2) 如图所示，把直管与直管对接，接厕弯管与直管对接；



### 6, Installation of the inlet valve and water level adjustment

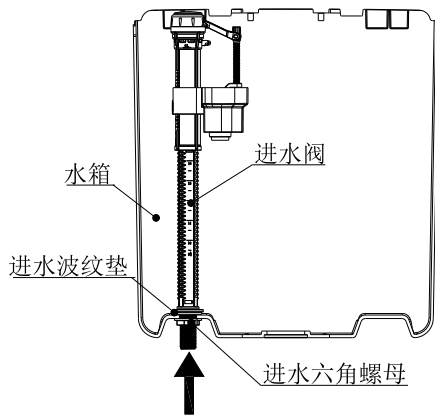
#### 6, 进水阀的安装和水位调节

1) Water level adjustment:

Remove the buckle. Turn counterclockwise to unscrew the inlet body and pull up or down to the appropriate position. Turn clockwise to tighten the inlet body and install the buckle.

1) 调节水位：

取下卡扣，逆时针旋松进水本体，上拉或下压到适当位置，顺时针拧紧进水本体，并将卡扣装上。

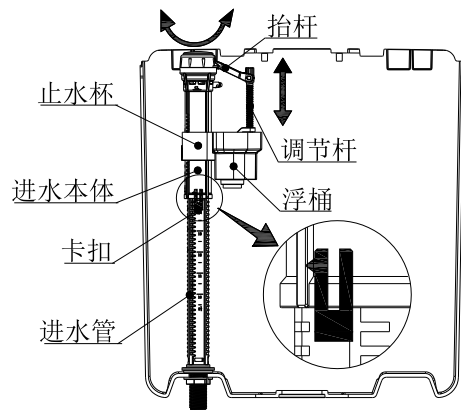


2) Water level fine-tuning:

Rotate the adjustment lever to adjust the height of the buoy, and adjust the height of the water stop cup up and down to an appropriate position at the same time to obtain different water level.

2) 水位微调：

旋转调节杆可调节浮筒高度，同时上下调整止水杯于浮筒相适应高度，从而获得不同的水位。



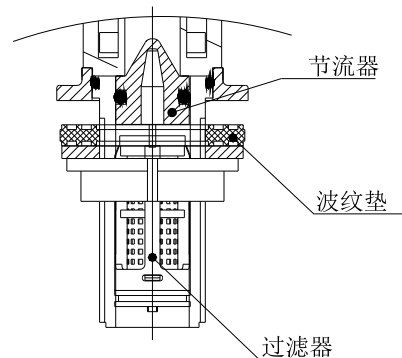
### 7, Cleaning method of the inlet valve filter

A filter is installed in the inlet pipe of the inlet valve. If the water intake velocity is found to be slow, clean the filter. The cleaning method is as follows: Clamp the ribs in the middle of the filter with a pair of sharp-nose pliers, and gently pull down to remove the filter. Wash the filter with clean water and then installed it in the inlet pipe.

#### 7, 进水阀过滤网的清洗方法

进水阀的进水管中安装有一个过滤网。当发现进水阀进水缓慢时，请清洗过滤网。

方法如下：用尖嘴钳夹住过滤网中部的筋条，向下轻拉，将过滤网取出，用清水清洗后，再将过滤网装入进水管即可。



## 8. Installation of the drain valve

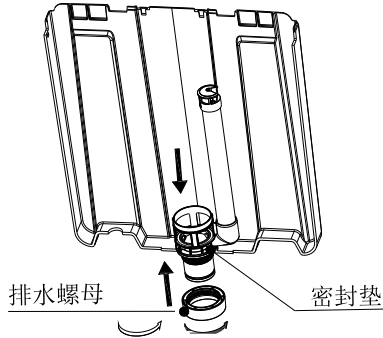
### 8.排水阀的安装

#### 1) Installation of the base:

Insert the drain valve base with a sealing gasket from the water tank into the drain hole and then tighten the drain nut.

#### 1)底座的安装:

将套好密封垫的排水阀底座从水箱内插入排水口，旋紧排水螺母。

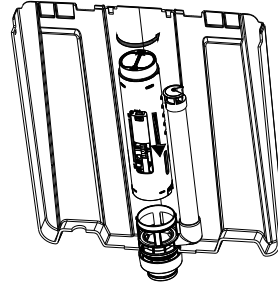


#### 2) Installation of the valve body:

Insert the drain valve body to the base and rotate the body to snap it into place.

#### 2)阀体的安装:

将排水阀本体插入底座，旋转使其卡在卡扣内。



## TROUBLESHOOTING PROCEDURES 进水阀的故障排除

Symptoms	Probable causes	Recommended action
The water level is too high or too low.	The water level is maladjusted.	Readjust the water level
The fill valve doesn't fill water.	The supply switch not open	Turn on the supply switch
	The obstruction of the filter caused by poor water quality	Clean the filter
	The float bucket is compressed by the shut-off valve.	Adjust the adjusting link
leakage	The hexagonal nut is not tightened.	Tighten the hexagonal nut

故障	原因	排除方法
水位太高或太低	进水阀水位没调整好	重新调整水位
进水阀不进水	进水开关没打开	把进水开关打开
	过滤网受水质影响而堵塞	清理过滤网
	进水阀浮桶受止水杯挤压	调整调节杆
漏水	进水阀六角螺母没旋紧	旋紧进水阀六角螺母

## TROUBLESHOOTING PROCEDURES 排水阀的故障排除

故障	原因	排除方法
漏水	<ol style="list-style-type: none"> <li>排水阀没安装好</li> <li>按钮压杆太长, 使止水垫不能紧贴排水口</li> <li>排水本体与底座未卡到位</li> <li>受水质脏物影响而卡涩</li> </ol>	<ol style="list-style-type: none"> <li>按排水阀安装步骤重新安装</li> <li>a. 调整压杆旋入扣座的长度 b. 把按钮压杆剪短</li> <li>重新安装</li> <li>把排水阀本体拆下清洗</li> </ol>
按下按钮不排水或排水太少	按钮压杆太短, 不能压到排水阀	调整压杆旋入扣座的长度
半排水位太高或太低	水位没调节好	调节水位

Symptoms	Probable causes	Recommended action
leakage	1. The discharge valve is not properly installed. 2. The flush stick is too long to make the shut-off washer stick close to the outlet. 3. The valve body and seat are not snapped in. 4. Unsmooth stagnation caused by the poor water quality and dirty particles	1. Re-install the discharge valve in accordance with steps required. 2. a. readjust the length of the flush stick rotated into the buckle b. cut the flush stick short. 3. re- install 4. remove the body of discharge valve for cleaning
The drain volume is too small or it even doesn't drain after pressing the button,	The flush stick is too short to operate the discharge valve.	Readjust the length of flush stick rotated into the buckle
The semi-drain water level is too high or too low.	The water level not properly adjusted	Readjust the water level

## ONE-YEAR WARRANTY

## 一年有限担保

This product is warranted for one year from date of purchase. Our company will be responsible for any problems caused by manufacturing defects provided with the invoice. Our company will, at its election, repair, replace or make appropriate adjustment where our company inspection discloses any such defects occurring in normal usage within one year after purchase.

本产品自购买之日起，对正常使用下的制造和质料上的瑕疵提供一年的质量担保。在质保期内，凭购货发票，我司将免费承担有制造质量引起的任何问题。经核查后，我司有权决定是修理，更换，还是做适当的调整。

The warranty, including products, is limited clearly. Our company is not responsible for other damages appeared after the warranty. Also, the warranty does not cover problems arising from labor charges, incorrect use and installation.

这里的担保，包括产品都已明确地限制在该担保期内。我司对以后出现的损坏不负有任何责任。担保也不包括外观损伤，使用不当及未按说明书安装的损失。

Shanghai Kohler International Trade Co., Ltd.  
 Address: Room 324, 2 Xinlin Rd,  
 Waigaoqiao Free Trade Zone, Shanghai  
 Tel: 400-920-8262  
 Postcode: 200131

上海科勒国际贸易有限公司  
 地址：上海市外高桥保税区新灵路106号2号楼324室  
 电话：400-920-8262  
 邮编：200131

# 卡丽 KARAT®

## 维修零件图 SERVICEPARTSPAGE

美乐双冲蹲便器水箱  
MILANO DUAL FLUSH SQUAT TANK  
21968T-WK

