

BEFORE YOU BEGIN

- Please read these instructions carefully to familiarize yourself with the required tools, materials, and installation sequences. Follow the sections that pertain to your particular installation. This will help you avoid costly mistakes. In addition to proper installation, read all operating and safety instructions.
- All information in these instructions is based upon the latest product information available at the time of publication. Karat. reserves the right to make changes in product characteristics, packaging, or availability at any time without notice.
- These instructions contain important care, cleaning, and warranty information-**please leave instructions for the consumer.**
- Turn off the water supply.
- The plumbing installation must comply with Water Supply Regulations/Bye-laws, Building Regulations or any particular regulations and practices, specified by the local water company or water undertakers. The installation should be carried out by a plumber.
- Before installation carefully inspect the new fixture for any signs of damage.
- cabinet adopts E1 grade wood-based panel of high quality, and with further processing, its harmful emissions will be less than 1.5mg/L.

安装之前

- 请仔细阅读本指引，以便熟悉所需工具、物料及安装程序。请遵照适用的章节来安装本产品，以免安装失当导致不必要的损失。除了有关正确的安装方法之外，还务请详阅所有操作及安全指引。
- 本指引所载之一切资料，均以印刷时所有之最新产品情况为基础，卡丽保留权利随时更改产品特性、包装或供应情况，恕不另行通知。安装家具之前，请先确认所有必需的电气工作均已完成。
- 本指引也包含了有关保养、清洁及担保等重要资料-请交予用户保存。
- 关闭供水。
- 管道安装必须遵循当地所有给排水、建筑或者其他的特别规定。管道安装人员必须具备相应资格。
- 安装之前，仔细检查新产品是否有损伤。
- 本浴室柜选用E1级优质人造板精心加工而成，其有害气体释放量小于1.5mg/L

SAFETY: WARNINGS

Karat products are precision-engineered and should give continued superior and safe performance, provided:

1. They are installed, commissioned, operated and maintained in accordance with the recommendations given in this Manual.
2. Periodic attention is given, as necessary, to maintain the product in good functional order. Recommended guidelines are given in the **MAINTENANCE** section.

Carefully inspect the new fixture for any signs of damage. When installing Karat Products, manufacturers guidelines for power tool safety should be followed.

安全：警告

卡丽产品经过精确制造，性能卓越，经久耐用。为保证产品质量，您必须：

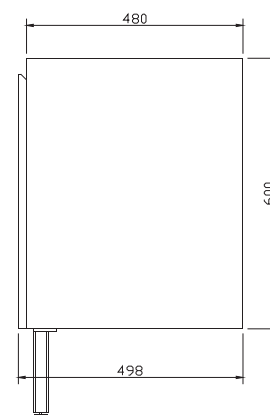
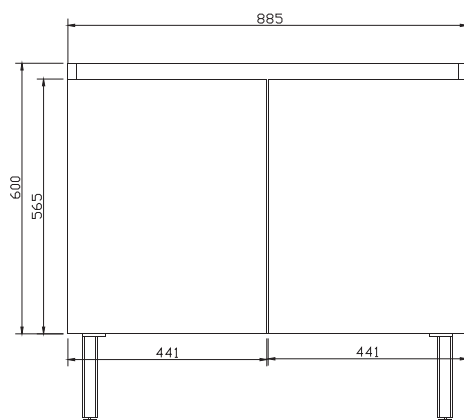
1. 按照此手册中推荐的方法进行安装、启动、操作及维护。
2. 如有需要，定期检查，令产品保持良好性能状态。日常维护章节中列有推荐方法。

仔细检查新产品是否有损伤。

在安装卡丽产品时，必须遵循制造商相关电动工具的安全的指令。

ROUGHING-IN

尺寸图



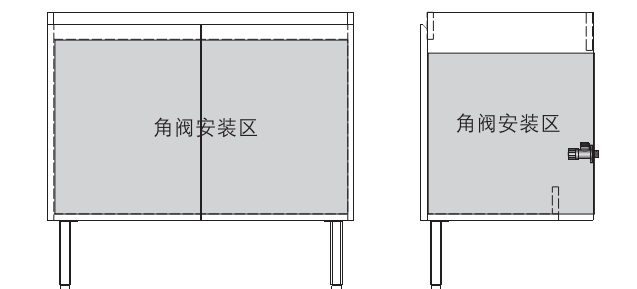
UNIT : mm
 单位：毫米

INSTALLATION

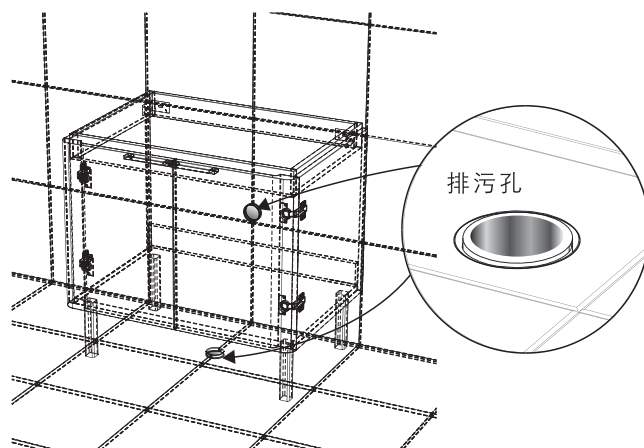
安装

INSTALL CABINET/安装之前

1. Please ensure that your angle valve is within the installation area of the cabinet. If the angle valve and cabinet board interferes, please change the position of the angle valve. Do not cut the cabinet, so as not to affect the stability of the cabinet structure, causing danger.
1. 请确保您的角阀在柜体的安装范围内，如果角阀和柜体板干涉，请变更角阀位置，切勿切割柜板，以免影响柜体结构稳定，造成危险。



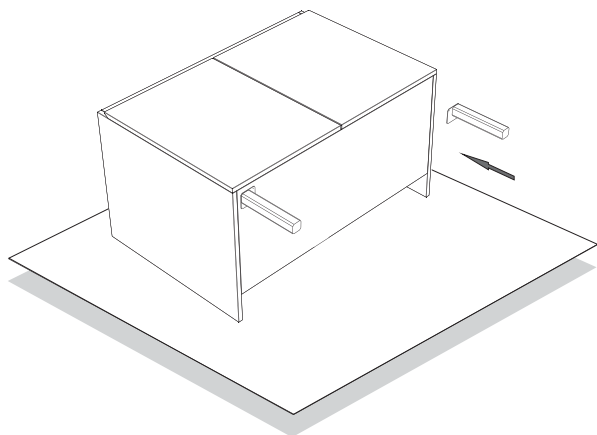
2. Please ensure that the sewage hole on the ground or wall the is within the installation area of the cabinet. **Scrapple the protruding part of the embedded sewage pipe.**
3. Please ensure that the installation position is with horizontal ground and vertical wall before installation.
2. 确保地面或墙面的排污孔在柜体的安装范围内，将预埋的排污管伸出部分削平。
3. 安装前确保安装位置的地面水平，墙面垂直。



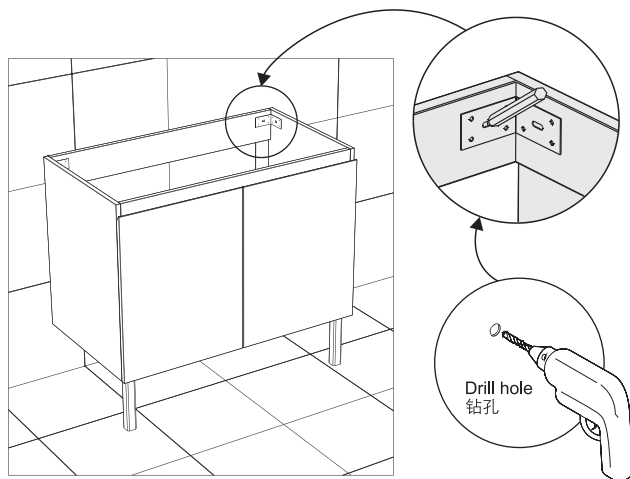
INSTALL CABINET/安装柜体

1. As shown in the figure, carefully remove the cabinet from the package and lay the cabinet on its side on the blanket or package cardboard. Install the support feet of the cabinet.
1. 如图，小心的从包装中取出柜体，将柜体侧放在毯子或包装纸板上，安装柜体支撑脚。

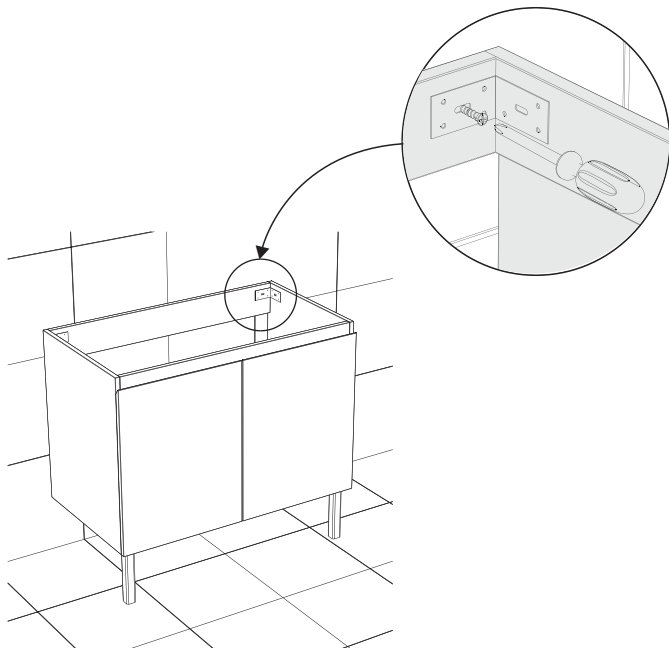
NOTE: the cabinet is heavy, so the operation requires two people
注意：柜体较重，需两人操作



2. Place the cabinet on the position of installation. Make sure the cabinet is horizontal and vertical. Mark the position of the fixing hole with a pencil.
 2. 将柜体放置于需要安装的位置，确定柜体水平，垂直，用铅笔在固定孔的位置做标记。移开柜体，用电钻开孔
- CAUTION! Avoid the cables and pipes inner set when drilling in the wall.**
小心！在墙壁上钻孔时请务必小心避开内设的缆线和管道。

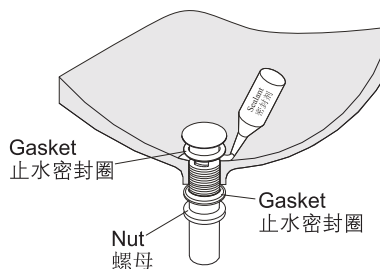


- Adjust the cabinet to make it horizontal. Adjust the drawer, so that the upper, lower, left and right gaps are uniform. After adjustment, use the expansion screw to fix the cabinet.
- 调整柜体水平。调整抽屉，使上下左右缝隙均匀。调整完毕后用膨胀螺丝固定柜体。

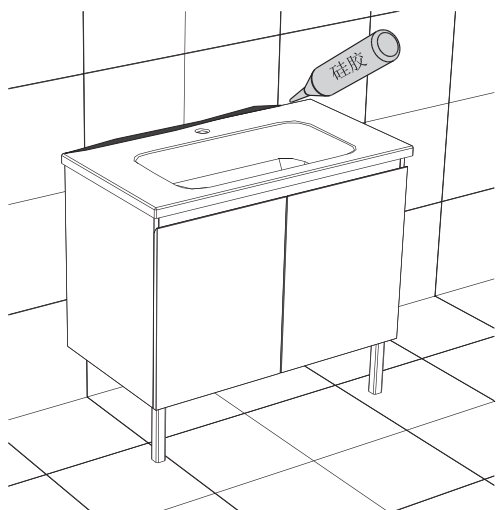


INSTALL THE BASIN/安装盆

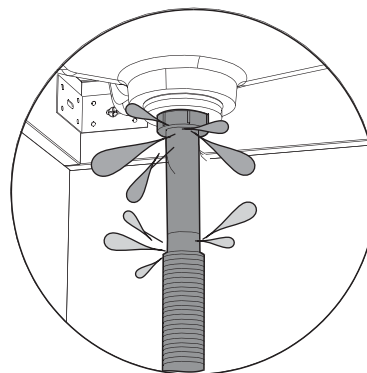
- Carefully remove the basin from the package and place it on the package. Install the drainer to the drain hole of the basin and connect the drain telescopic rods and drain bellows.
- 将盆小心的从包装中取出并置于包装上，将下水头安装于盆的下水孔上，并连接下水及排水波纹管。



- Place the basin and drain assembly (drain telescopic rod, drain bellows) on the cabinet to ensure that the basin level is centered horizontally and vertically.
- 将脸盆及排水管组件置于柜体上，确保脸盆水平，左右居中。



- Check that if the connections of the drain assembly are leaking. If there is water leakage, please reconnect.
- 冲水数次，检查排水管的各连接处是否漏水，如有漏水请重新连接。



USER MAINTENANCE

Warn! Risk of product damage.

1. Many cleansers contain abrasive and chemical substance which is not suitable for cleaning stainless steel, enamel, plating or plastic products. You may use mild cleansers or soaps to clean the surfaces. Wipe any splashes of cleaner solutions from the surface with clean soft cloth.
2. Maintain ventilation in the bathroom, and separate the dry area from the damp one if conditions permit. Try to open the door and windows of the bathroom and maintain good ventilation.
3. Karat bathroom cabinet are dealt with strict procedures for damp-proof, whose good damp-proof function ensures good performance even in bathroom of huge humidity. Yet do not splash and pour water directly on the bathroom cabinet. Make sure that the bathroom is not over damp and wipe any splashes from surfaces immediately.
4. Maintenance of door board: Clean and wipe door board regularly, and wipe the condensation vapor with dry and soft cloth.
5. Ensure that electrical connections for appliances such as head lamp is insulated wipe mirror surface with chamois regularly to guarantee the persistent excellent performance.
6. Please do not sit, lean or step on the basin cabinet.

日常维护

警告！小心产品受损。

1. 许多清洁剂都含有研磨剂及化学物质，不可用于清洁不锈钢、搪瓷、镀层或塑料制品。这些表面须使用温和的清洁剂或皂液进行清洁，将残余洗涤剂洗干净，然后用干净的软布擦干。
2. 卫生间请保持良好的通风状态，有条件的可以干、湿分离，平常尽量保持浴室空气畅通，养成开窗开门的习惯。
3. 卡丽浴柜都经过严格的防潮处理，但防潮并不是防水，使用时不可随意任浴柜被水浇、溅。良好的防潮性能可以保证在高相对湿度时仍有良好使用性，所以请避免卫生间过于潮湿，遇有水迹要及时擦干。
4. 门板的保养：经常用软布定期清洁、擦拭，洗浴后的冷凝水蒸气应用干布擦净，保持门板的干爽。
5. 照明灯等电器连接要确保绝缘、防潮镜面最好用麂皮经常擦拭，可以保障使用质量经久如一。
6. 日常使用时，请勿坐、倚在脸盆柜上。

ONE-YEAR WARRANTY

This product is warranted for one year from date of purchase. Our company will be responsible for any problems caused by manufacturing defects provided with the invoice. Our company will, at its election, repair, replace or make appropriate adjustment where our company inspection discloses any such defects occurring in normal usage within one year after purchase.

The warranty, including products, is limited clearly. Our company is not responsible for other damages appeared after the warranty. Also, the warranty does not cover problems arising from labor charges, incorrect use and installation.

一年有限担保

本产品自购买之日起，对正常使用下的制造和质料上的瑕疵提供一年的质量担保。在质保期内，凭购货发票，我司将免费承担有制造质量引起的任何问题。经核查后，我司有权决定是修理，更换，还是做适当的调整。

这里的担保，包括产品都已明确地限制在该担保期内。我们对以后出现的损坏不负有任何责任。担保也不包括外观损伤，使用不当及未按说明书安装的损失。

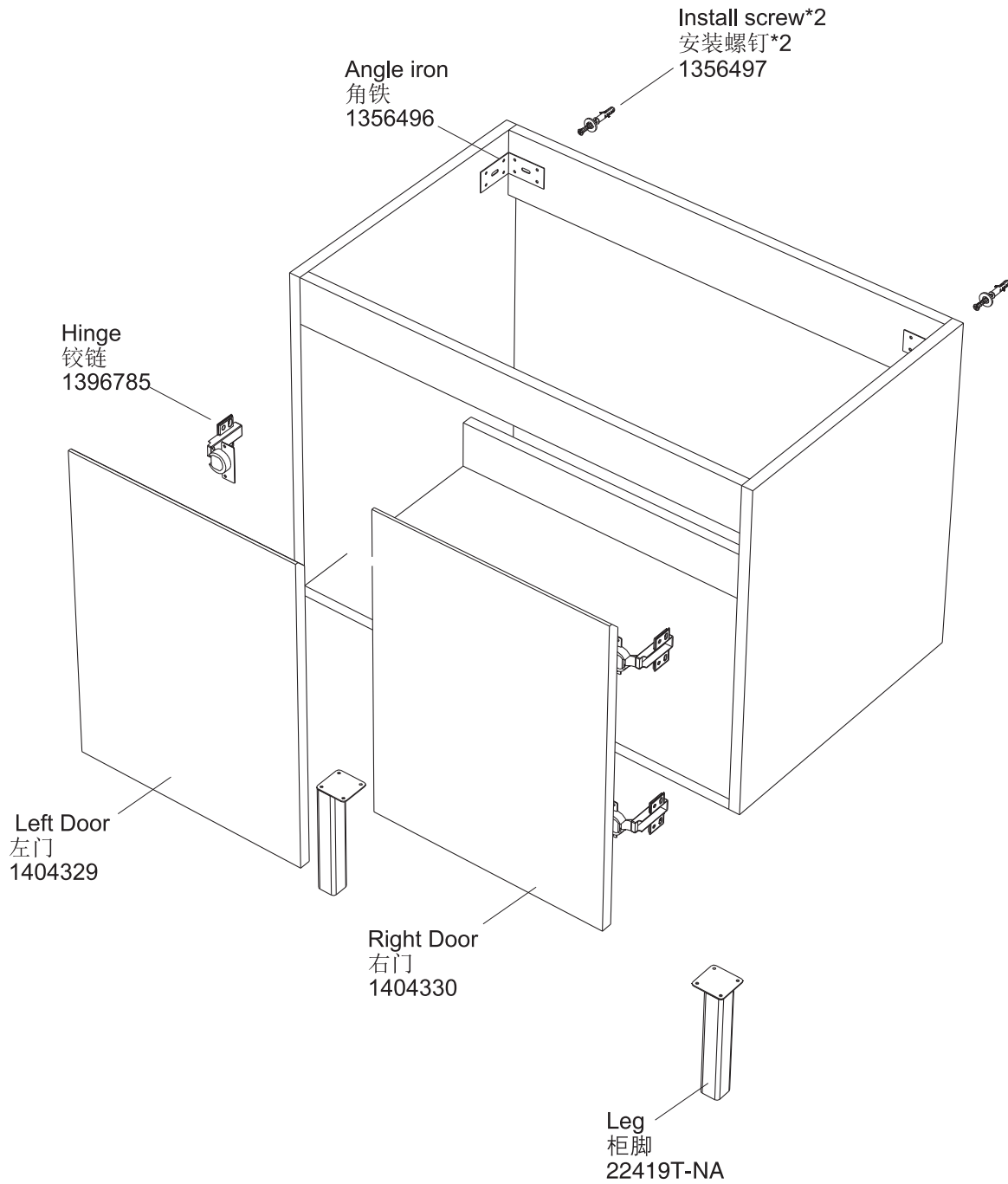
Shanghai Kohler International Trade Co., Ltd.
Address: Room 1348, Floor 13, No.55, Xi Li Road,
China (Shanghai) Pilot Free Trade Zone
Tel: 400-920-8262
Postcode: 201206

上海科勒国际贸易有限公司
地址：中国（上海）自由贸易试验区西里路55号
13层1348部位
电话：400-920-8262
邮编：201206

卡丽 KARAT®

维修零件图 SERVICE PARTS PAGE

CHIME CABINET
心音柜体
WALNUT COLOR/胡桃木色
26667T-22



BEFORE YOU BEGIN

- Please read these instructions carefully to familiarize yourself with the required tools, materials, and installation sequences. Follow the sections that pertain to your particular installation. This will help you avoid costly mistakes. In addition to proper installation, read all operating and safety instructions.
- All information in these instructions is based upon the latest product information available at the time of publication. Karat. reserves the right to make changes in product characteristics, packaging, or availability at any time without notice.
- These instructions contain important care, cleaning, and warranty information-**please leave instructions for the consumer.**
- Turn off the water supply.
- The plumbing installation must comply with Water Supply Regulations/Bye-laws, Building Regulations or any particular regulations and practices, specified by the local water company or water undertakers. The installation should be carried out by a plumber.
- Before installation carefully inspect the new fixture for any signs of damage.
- cabinet adopts E1 grade wood-based panel of high quality, and with further processing, its harmful emissions will be less than 1.5mg/L.

安装之前

- 请仔细阅读本指引，以便熟悉所需工具、物料及安装程序。请遵照适用的章节来安装本产品，以免安装失当导致不必要的损失。除了有关正确的安装方法之外，还务请详阅所有操作及安全指引。
- 本指引所载之一切资料，均以印刷时所有之最新产品情况为基础，卡丽保留权利随时更改产品特性、包装或供应情况，恕不另行通知。安装家具之前，请先确认所有必需的电气工作均已完成。
- 本指引也包含了有关保养、清洁及担保等重要资料-请交予用户保存。
- 关闭供水。
- 管道安装必须遵循当地所有给排水、建筑或者其他的特别规定。管道安装人员必须具备相应资格。
- 安装之前，仔细检查新产品是否有损伤。
- 本浴室柜选用E1级优质人造板精心加工而成，其有害气体释放量小于1.5mg/L

SAFETY: WARNINGS

Karat products are precision-engineered and should give continued superior and safe performance, provided:

1. They are installed, commissioned, operated and maintained in accordance with the recommendations given in this Manual.
2. Periodic attention is given, as necessary, to maintain the product in good functional order. Recommended guidelines are given in the **MAINTENANCE** section.

Carefully inspect the new fixture for any signs of damage.

When installing Karat Products, manufacturers guidelines for power tool safety should be followed.

安全：警告

卡丽产品经过精确制造，性能卓越，经久耐用。为保证产品质量，您必须：

1. 按照此手册中推荐的方法进行安装、启动、操作及维护。
2. 如有需要，定期检查，令产品保持良好性能状态。日常维护章节中列有推荐方法。

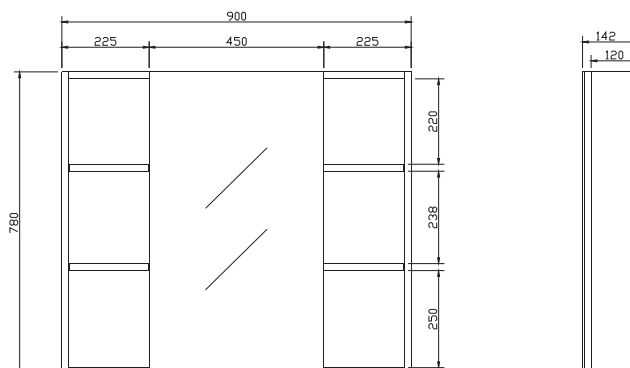
仔细检查新产品是否有损伤。

在安装卡丽产品时，必须遵循制造商相关电动工具的安全的指令。

ROUGHING-IN

尺寸图

UNIT : mm
 单位：毫米

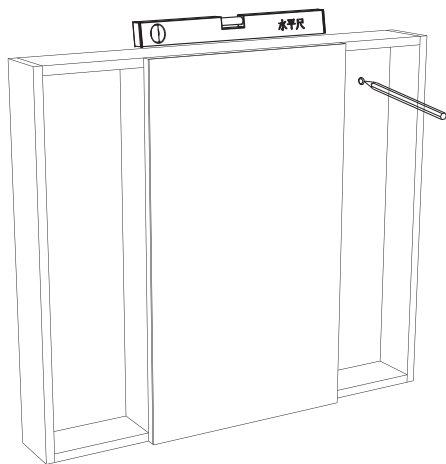


INSTALLATION

安装

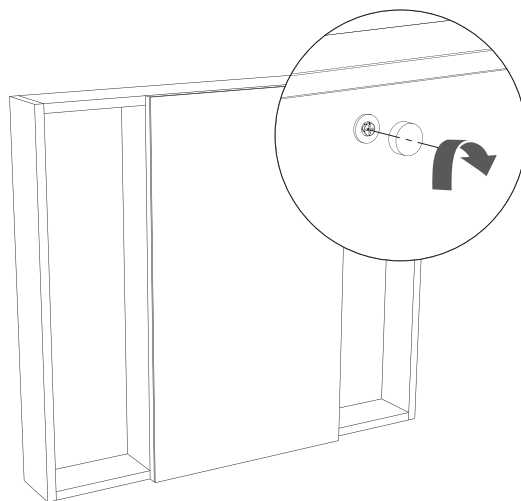
1. As shown in the figure, press the bottom of the mirror cabinet close to the upper edge of the mirror plate and keep the mirror cabinet vertical and horizontal. Mark the position of four mounting holes of the mirror cabinet with a pencil. **Note: the cabinet is heavy, so the operation requires two people**

1. 如图，将镜柜放置在安装位置，保持镜柜垂直，水平。在镜柜的四个安装的孔的位置用铅笔做标记。
注意：柜体较重，需两人操作



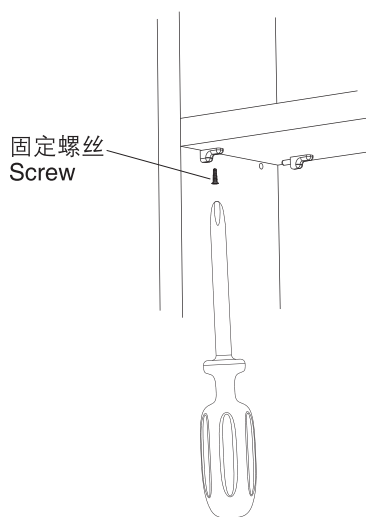
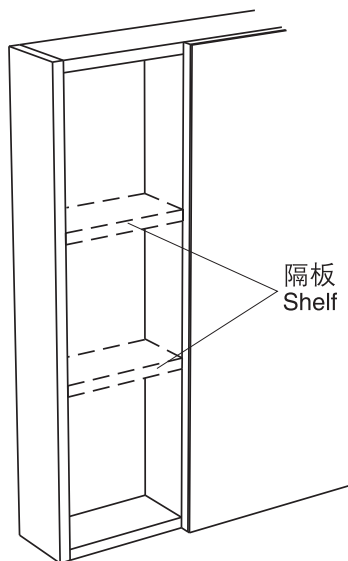
2. Drill holes with an electric drill and install the mirror cabinet with expansion screws.

2. 用电钻开孔，用膨胀螺丝固定镜柜，拧上装饰盖，安装完毕。



3. As shown in the figure, Place a fixed Shelf according to the actual size of the item. And tighten the screws.

3. 如图，根据所放物品的实际尺寸需要放置固定隔板。并用螺丝拧紧。



USER MAINTENANCE

Warn! Risk of product damage.

1. Many cleansers contain abrasive and chemical substance which is not suitable for cleaning stainless steel, enamel, plating or plastic products. You may use mild cleansers or soaps to clean the surfaces. Wipe any splashes of cleaner solutions from the surface with clean soft cloth.
2. Maintain ventilation in the bathroom, and separate the dry area from the damp one if conditions permit. Try to open the door and windows of the bathroom and maintain good ventilation.
3. Karat bathroom cabinet are dealt with strict procedures for damp-proof, whose good damp-proof function ensures good performance even in bathroom of huge humidity. Yet do not splash and pour water directly on the bathroom cabinet. Make sure that the bathroom is not over damp and wipe any splashes from surfaces immediately.
4. Maintenance of door board: Clean and wipe door board regularly, and wipe the condensation vapor with dry and soft cloth.
5. Ensure that electrical connections for appliances such as head lamp is insulated wipe mirror surface with chamois regularly to guarantee the persistent excellent performance.
6. Please do not sit, lean or step on the basin cabinet.

日常维护

警告！小心产品受损。

1. 许多清洁剂都含有研磨剂及化学物质，不可用于清洁不锈钢、搪瓷、镀层或塑料制品。这些表面须使用温和的清洁剂或皂液进行清洁，将残余洗涤剂洗干净，然后用干净的软布擦干。
2. 卫生间请保持良好的通风状态，有条件的可以干、湿分离，平常尽量保持浴室空气畅通，养成开窗开门的习惯。
3. 卡丽浴柜都经过严格的防潮处理，但防潮并不是防水，使用时不可随意任浴柜被水浇、溅。良好的防潮性能可以保证在高相对湿度时仍有良好使用性，所以请避免卫生间过于潮湿，遇有水迹要及时擦干。
4. 门板的保养：经常用软布定期清洁、擦拭，洗浴后的冷凝水蒸气应用干布擦净，保持门板的干爽。
5. 照明灯等电器连接要确保绝缘、防潮镜面最好用麂皮经常擦拭，可以保障使用质量经久如一。
6. 日常使用时，请勿坐、倚在脸盆柜上。

ONE-YEAR WARRANTY

This product is warranted for one year from date of purchase. Our company will be responsible for any problems caused by manufacturing defects provided with the invoice. Our company will, at its election, repair, replace or make appropriate adjustment where our company inspection discloses any such defects occurring in normal usage within one year after purchase.

The warranty, including products, is limited clearly. Our company is not responsible for other damages appeared after the warranty. Also, the warranty does not cover problems arising from labor charges, incorrect use and installation.

一年有限担保

本产品自购买之日起，对正常使用下的制造和质料上的瑕疵提供一年的质量担保。在质保期内，凭购货发票，我司将免费承担有制造质量引起的任何问题。经核查后，我司有权决定是修理，更换，还是做适当的调整。

这里的担保，包括产品都已明确地限制在该担保期内。我们对以后出现的损坏不负有任何责任。担保也不包括外观损伤，使用不当及未按说明书安装的损失。

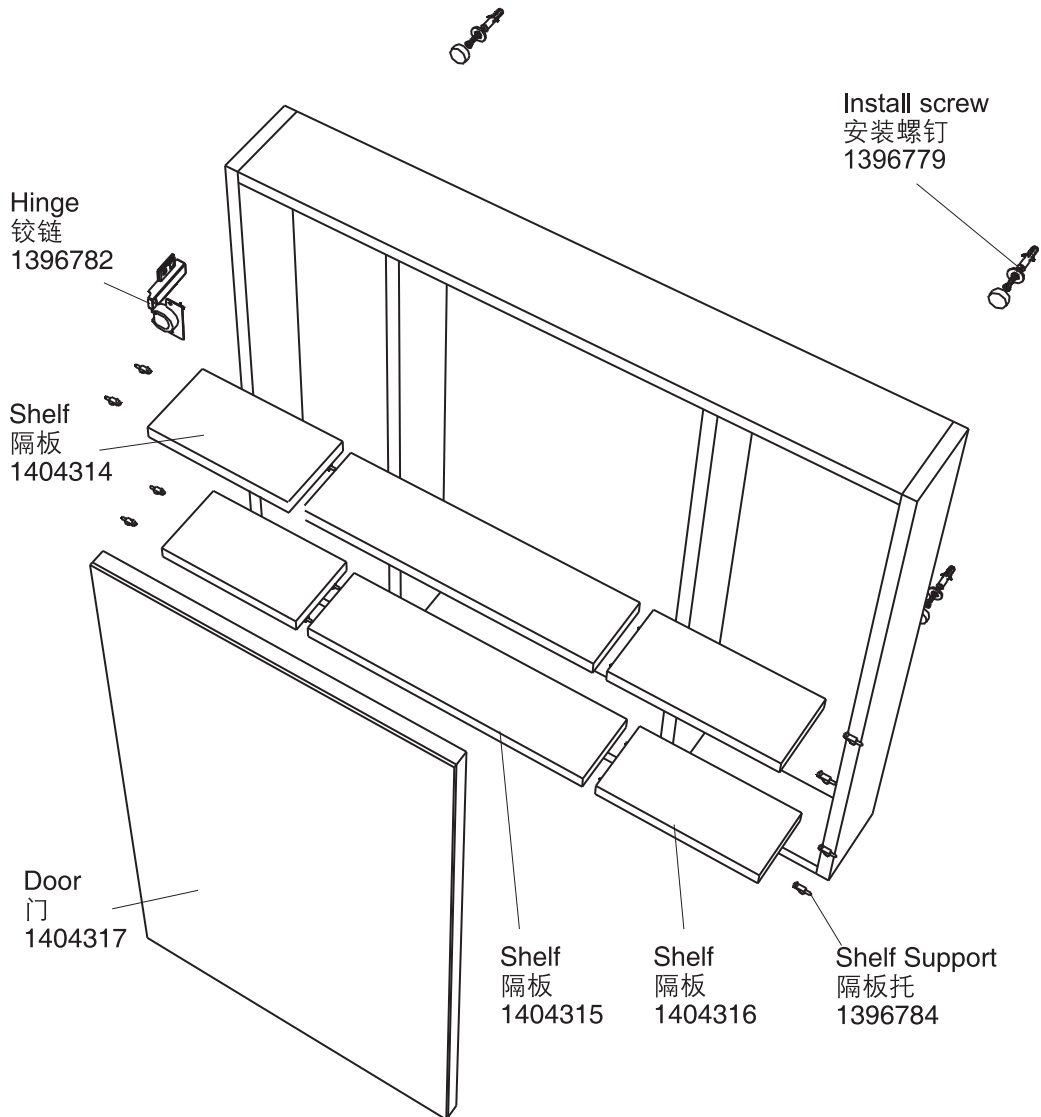
Shanghai Kohler International Trade Co., Ltd.
Address: Room 1348, Floor 13, No.55, Xi Li Road,
China (Shanghai) Pilot Free Trade Zone
Tel: 400-920-8262
Postcode: 201206

上海科勒国际贸易有限公司
地址：中国（上海）自由贸易试验区西里路55号
13层1348部位
电话：400-920-8262
邮编：201206

卡丽 KARAT®

维修零件图 SERVICE PARTS PAGE

CHIME MIRROR CABINET
心音镜柜
LAVA GRAY/熔岩灰色
26664T-LG1



BEFORE YOU BEGIN

- Please read these instructions carefully to familiarize yourself with the required tools, materials, and installation sequences. Follow the sections that pertain to your particular installation. This will help you avoid costly mistakes. In addition to proper installation, read all operating and safety instructions.
- All information in these instructions is based upon the latest product information available at the time of publication. Karat reserves the right to make changes in product characteristics, packaging, or availability at any time without notice.
- These instructions contain important care, cleaning, and warranty information-**please leave instructions for the consumer.**
- Turn off the water supply.
- The plumbing installation must comply with Water Supply Regulations/Bye-laws, Building Regulations or any particular regulations and practices, specified by the local water company or water undertakers. The installation should be carried out by a plumber.
- Before installation carefully inspect the new fixture for any signs of damage.

安装之前

- 请仔细阅读本指引，以便熟悉所需工具、物料及安装程序。请遵照适用的章节来安装本产品，以免安装失当导致不必要的损失。除了有关正确的安装方法之外，还务请详细阅读所有操作及安全指引。
- 本指引所载之一切资料，均以印刷时所有之最新产品情况为基础，卡丽保留权利随时更改产品特性、包装或供应情况，恕不另行通知。安装家具之前，请先确认所有必需的电气工作均已完成。
- 本指引也包含了有关保养、清洁及担保等重要资料-请交予用户保存。
- 关闭供水。
- 管道安装必须遵循当地所有给排水、建筑或者其他的特别规定。管道安装人员必须具备相应资格。
- 安装之前，仔细检查新产品是否有损伤。

SAFETY: WARNINGS

Karat products are precision-engineered and should give continued superior and safe performance, provided:

1. They are installed, commissioned, operated and maintained in accordance with the recommendations given in this Manual.
2. Periodic attention is given, as necessary, to maintain the product in good functional order. Recommended guidelines are given in the **MAINTENANCE** section.

Carefully inspect the new fixture for any signs of damage.

When installing Karat Products, manufacturers guidelines for power tool safety should be followed.

安全：警告

卡丽产品经过精确制造，性能卓越，经久耐用。为保证产品质量，您必须：

1. 按照此手册中推荐的方法进行安装、起动、操作及维护。
2. 如有需要，定期检查，令产品保持良好性能状态。日常维护章节中列有推荐方法。

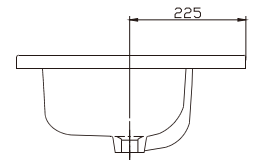
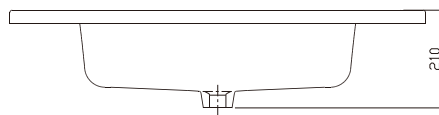
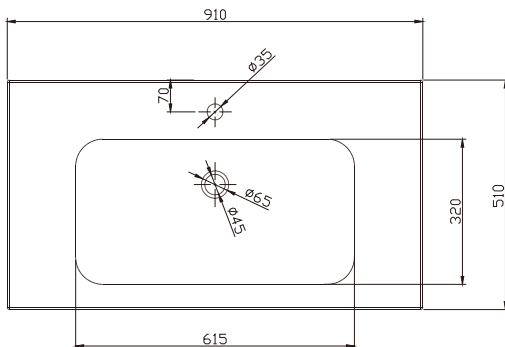
仔细检查新产品是否有损伤。

在安装卡丽产品时，必须遵循制造商相关电动工具的安全的指令。

ROUGHING-IN

尺寸图

UNIT : mm
单位：毫米

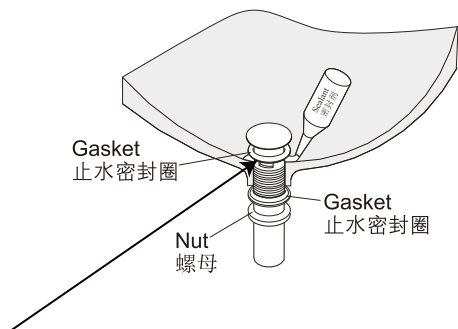


INSTALLATION

安装

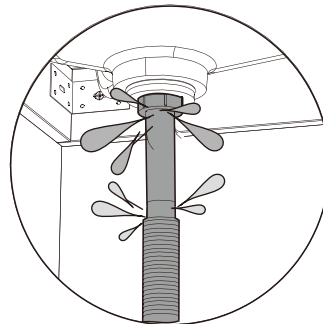
INSTALL THE BASIN/安装盆

- Carefully remove the basin from the package and place it on the package. Install the drainer to the drain hole of the basin and connect the drain telescopic rods and drain bellows.
- 将盆小心的从包装中取出并置于包装上，将下水头安装于盆的下水孔上，并连接排水波纹管。



去水器侧边的溢流出水口对准盆的溢流出水口

图示仅供参考，产品以实物为准。



- Check that if the connections of the drain assembly are leaking. If there is water leakage, please reconnect.
- 冲水数次，检查排水管的各连接处是否漏水，如有漏水请重新连接。
- 柜盆与柜体的安装请参考柜子的说明书。

USER MAINTENANCE

日常维护

⚠ Warn! Risk of product damage.

⚠ 警告！小心产品受损。

- Many cleansers contain abrasive and chemical substance which is not suitable for cleaning stainless steel, enamel, plating or plastic products. You may use mild cleansers or soaps to clean the surfaces. Wipe any splashes of cleaner solutions from the surface with clean soft cloth.
- Maintain ventilation in the bathroom, and separate the dry area from the damp one if conditions permit. Try to open the door and windows of the bathroom and maintain good ventilation.
- Please do not sit, lean or step on the basin cabinet.

- 许多清洁剂都含有研磨剂及化学物质，不可用于清洁不锈钢、搪瓷、镀层或塑料制品。这些表面须使用温和的清洁剂或皂液进行清洁，将残余洗涤剂洗干净，然后用干净的软布擦干。
- 卫生间请保持良好的通风状态，有条件的可以干、湿分离，平常尽量保持浴室空气畅通，养成开窗开门的习惯。
- 日常使用时，请勿坐、倚在脸盆柜上。

LIMITED WARRANTY

有限担保

Karat warrants its product to be free of defects in material and workmanship during normal residential usage for three (3) years from date of purchase. This warranty only applies to Karat product purchased and installed in mainland China.

卡丽担保本产品在日常家用的情况下自购买之日起三年内无材料及制造工艺上的瑕疵。本担保仅适用于在中国大陆购买并安装的卡丽产品。

Karat will, at its election, repair, replace, or make appropriate adjustment where Karat inspection discloses any such defects occurring in normal use during the warranty period. Karat is not responsible for removal or installation costs. Damage caused by accident, misuse, or abuse is not covered by this warranty. Improper care and cleaning will void the warranty.*

在上述三年担保期内，如经卡丽核查后发现产品在正常家用的情况下存在瑕疵，卡丽将自行决定对产品进行修理、更换、或是作适当的调整。卡丽不承担上述成本以外的人工成本、拆除或安装的成本。由于意外、过度使用或使用不当造成的产品损害不属于担保范围之内。不适当的保养和清洁将导致担保无效。

If this product is used commercially, Karat warrants the product to be free from defects in material and workmanship for one (1) year from the date of purchase, with all other terms of this warranty applying except duration.

如产品被用于商业目的，则卡丽担保该产品自购买之日起一年内无材料及制造工艺上的瑕疵。除担保期限以外，本担保的其他条款均适用。

If you believe that you have a warranty claim, contact Karat through your Dealer, Plumbing Contractor, Home Center or E-tailer. Please be sure to provide all pertinent information regarding your claim, including a complete description of the problem, the product, model number, color, finish, the date the product was purchased and from whom the product was purchased. Also include your proof of purchase (original sales receipt).

IKARAT AND/OR SELLER ARE PROVIDING THESE WARRANTIES IN LIEU OF ALL OTHER WARRANTIES, EXPRESSED OR IMPLIED, INCLUDING BUT NOT LIMITED TO THE IMPLIED WARRANTIES OF MERCHANTABILITY AND FITNESS FOR A PARTICULAR PURPOSE. KARAT AND/OR SELLER DISCLAIM ALL LIABILITY FOR SPECIAL, INCIDENTAL OR CONSEQUENTIAL DAMAGES.

This is Karat's exclusive written warranty.

为获得担保服务，请通过您的经销商、承包商、家居中心或网络零售商联系我们。请确保提供所有相关的信息，包括完整的问题描述、型号、颜色、表面镀层、购买时间及销售方。请务必同时提供购买凭证（原销售发票）。

在法律允许的范围内，卡丽及/或销售商提供此担保以取代所有其他明示或默示的担保（包括但不限于产品的适销性和适用于特定目的的担保），并且卡丽及/或销售商对任何特殊、附带或衍生性损害赔偿不承担责任。

这是我们全部的书面担保。

Shanghai Chehe Trading Co., Ltd.
Address: Floor 2, No.126,128,130 Jiang Chang
San Road, Jing An District, Shanghai.
Tel: 400-920-8262
Postcode: 200436

上海澈和贸易有限公司
地址：上海市静安区江场三路126、128、130号2层
电话：400-920-8262
邮编：200436