


卡丽 KARAT®

安装说明书 INSTALLATION INSTRUCTIONS

CONCEALED PAPER
TOWEL DISPENSERS (2 in 1)
嵌入式一体式多功能纸巾箱
72871T-ST

BEFORE YOU BEGIN


- please carefully read this installation instruction in order to ensure proper care and assembly of this accessory.
- Please keep this installation instruction for future reference.

 Prior to drilling into walls, check there are no hidden electrical wires, cables or water supply pipes with the aid of an electronic detector. If you use power tools do not forget:

1. Wear eye protection.
2. Unplug equipment after use.

安装之前

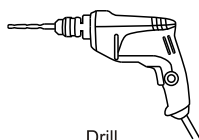
- 在您安装之前请仔细阅读此说明书。
- 请保留此说明书以备参考。

 警示：在钻孔之前，请借助电子探测仪确认墙内是否有电源线、通讯光缆或者水管之类的东西。如果使用电钻的话请勿忘记以下两点：

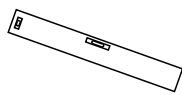
1. 请戴上防护镜。
2. 用完设备后关掉电源。

TOOLS AND ACCESSORIES

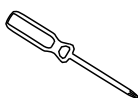
工具及配件



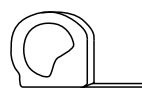
Drill
电钻



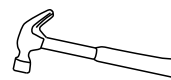
Leveling Instrument
水平尺



Screw Driver
螺丝刀



Tape
卷尺



Hammer
锤子



Anchor x 4
膨胀管4个



Screw x 4
螺钉4个



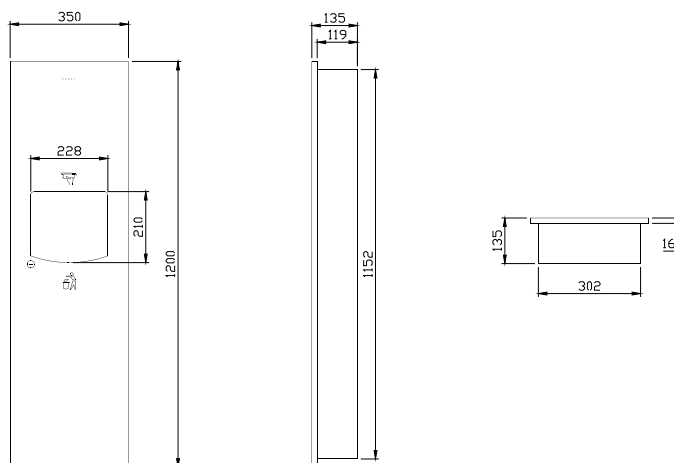
Key x 3
锁匙3个

ROUGHING-IN

尺寸图

Reference Value
参考值

Unit: mm
单位: 毫米



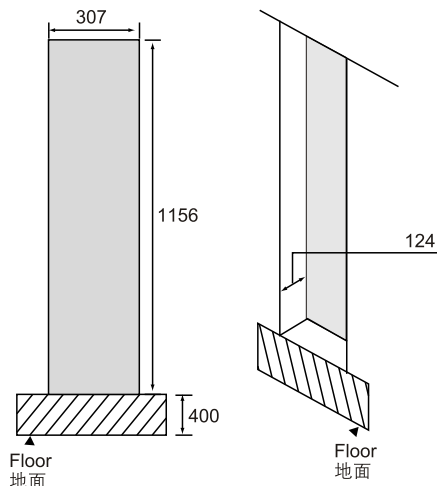
公司保留随时变更图中标示尺寸的权利，无需另行通知。
Our company reserves the right to change marked dimensions without prior notice.

INSTALLATION

安装

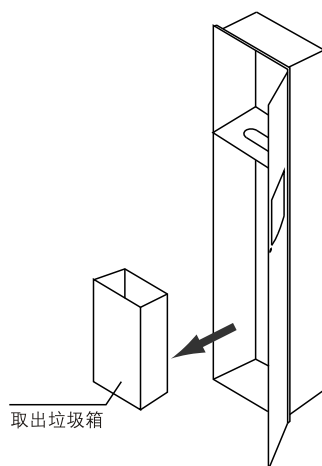
1. Drill the wall. Suggested product bottom shall be 400mm from floor. Suggested drilled size: W307xD124xH1156mm.

1. 墙身挖孔，建议产品底离地面400mm。建议挖孔尺寸：W307xD124xH1156mm。



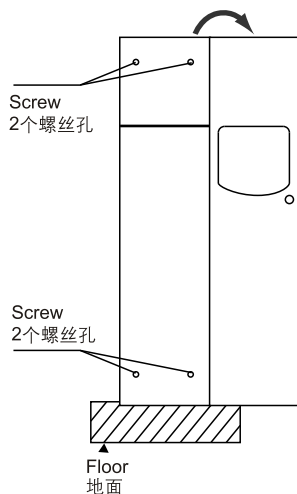
2. Open the door with key. Take out dust bin.

2. 用锁匙打开门，取出垃圾箱。

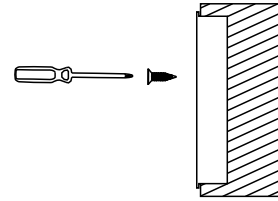
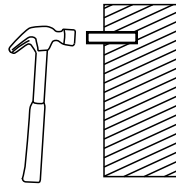
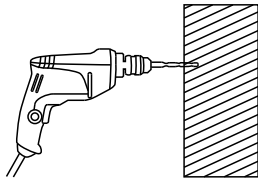


3. Put the product into the drilled wall. Open the door from left to right. Mark 4 holes on the wall. Take out the product.

3. 把产品放入挖好的孔内，把门从左到右打开，然后在4个螺丝孔中在墙上标识出来，然后取出产品。



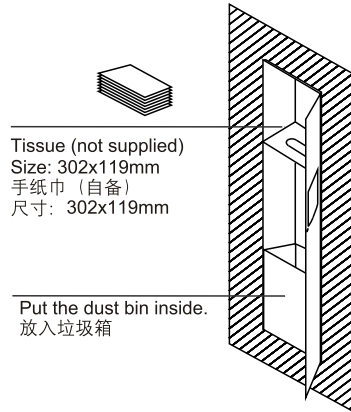
4. Drill 35~40mm holes on the wall with 6mm drill bit.
5. Insert anchors into wall. Put the tissue box in place and tighten the screws.



4. 在螺孔标注上钻孔。用6mm钻头打孔，深度35~40mm。
5. 将塑料膨胀管插入钻孔，将纸巾箱放在孔位上，旋紧固定螺丝钉即可。

6. Put tissues into the box and place the dust bin. Close the door and lock the door with key.

6. 放入自备手纸巾，放入垃圾箱，关上门，然后用锁匙锁门即可。



CARING FOR YOUR PRODUCTS

1. Clean the product daily with cotton cloth.
- Do not use abrasive materials.
2. Do not use strong chemical detergents such as strong acid, strong alkali or phosphoric acid.
 3. Avoid scratching product surface with sharp objects.

保养须知

1. 要经常除尘，因为灰尘每天都会粘在不锈钢的表面。最好使用干净的纯棉针织品作为抹布。
切记：请避免使用粗，磨料和钢丝球擦拭。
2. 请勿使用强力化学剂清洁（强酸，强碱或磷酸消毒剂）。
3. 不锈钢均经过表面的打磨和抛光处理，避免有尖锐的硬物刮碰表面。

ONE -YEARS WARRANTY

Our company provides one years warranty for its drain. Our company will at its election, repair, replace or make appropriate adjustment where our company inspection discloses any such defects occurring in normal usage within warranty.

The warranty, including products, is limited clearly. Our company is not responsible for other damages appeared after the warranty. Also, the warranty dose not cover problems arising from labor charges, incorrect use and installation.

一年有限担保

本产品自购买之日起，在正常使用情况下我司将提供一年的质量担保，经核查后，我司有权决定是修理，更改，还是做适当的调整。

这里的担保，包括产品都已明确地限制在该担保期内。本公司对以后出现的损坏不负有任何责任。担保也不包括外观损伤，使用不当及未按说明书安装的损失。

Shanghai Kohler International Trade Co., Ltd.
Address: Room 1348, Floor 13, No.55, Xi Li Road,
China (Shanghai) Pilot Free Trade Zone
Tel: 400-920-8262
Postcode: 201206

上海科勒国际贸易有限公司
地址：中国（上海）自由贸易试验区西里路55号13层1348部位
电话：400-920-8262
邮编：201206

卡丽 KARAT®

维修零件图 SERVICEPARTSPAGE

CONCEALED PAPER
TOWEL DISPENSERS (2 in 1)
嵌入式一体式多功能纸巾箱
72871T-ST

