

卡丽 K A R A T®

安装说明书 INSTALLATION INSTRUCTIONS

欧佩手持花洒组件
OPAL HANDSHOWER ACCESSORIES
12077T-M-CP

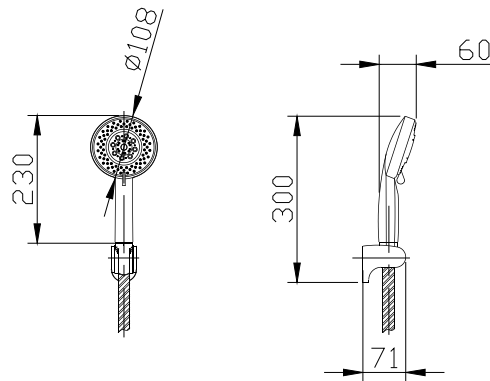
BEFORE YOU BEGIN 安装之前

- Please read the instructions carefully
- Please give the instructions to the end customer after installation
- The shape and components of the product do not necessarily comply with the illumination which is only for your reference.
- Please purchase a suitable and usable connector
- It is recommended that the customer invite professionals for the installation
- Get these tools at hand: adjustable wrench, screwdrivers, thread sealant, pliers, electric hammer and etc.
- The following pictures for your reference do not necessarily comply with the products. Please contact the seller or Shanghai Kohler International Trade Co. Ltd. if you have any question related to installation.
- 请仔细阅读本说明书
- 安装完毕后，请务必将本说明书交给最终客户
- 产品外形及所包含的配件以实物为准，示意图仅供参考
- 请购买一个正确且有效的连接装置
- 建议客户请专业的安装人士安装
- 准备以下工具：活动扳手，螺丝刀，密封胶带，钳子，电锤等
- 以下图例安装步骤仅供参考，一切以所购买实物为准，如遇到不清楚之处，请联系您的销售商或联系上海科勒国际贸易有限公司

NOTE 注意事项

- 1.This product had been checked and adjusted by factory; please don't take it apart by yourself.
 - 2.Work pressure: 0.05MPa~0.8MPa; Work pressure commanded: 0.2MPa~0.6MPa.
1. 本产品已经出厂检测及调试，请勿自行拆卸。
2. 工作压力：0.05MPa~0.8MPa；推荐工作压力 0.2MPa~0.6MPa。

DRAWING 图纸

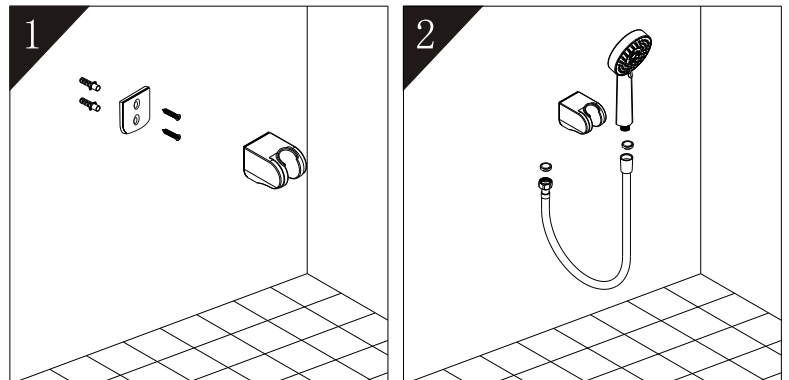


单位：毫米

INSTALLATION EXPOSITION

1. Install the Wall Base

- *Mark the position of the installation holes per the stature of your family member and bathroom layout. The reference position is 200-250 mm away from the centerline of the faucet and 1600 mm above the ground.
- *Drill two holes with a diameter of 6 mm and depth of 35 mm at the marked place, please note the distance between two holes should be 30mm.
- *Lay expanded bolts to two holes respectively. Fix the wall base to the wall with self tapping screws and then put the wall base cover through the socket.



2. To Connect Showerhead and Hose

- *Connect nuts of the showerhead hose with faucet spout connections as shown in Fig. 4. After the wimble end of the nuts and the hand spray is connected, insert the assembly to the wall base.

安装说明

1. 安装墙座

- * 如图1所示,根据家庭成员的身高和卫生间的布置,标记安装孔的位置,参考位置为距离龙头的中间位置200-250mm,距离地面的高度为1600mm。
- * 在标记处钻直径为6mm,深为35mm的孔,两孔的距离为30mm。
- * 分别在两孔内打入膨胀管,用自攻螺钉将墙座固定在墙上,最后将墙座盖套在墙座上。

2. 连接花洒和软管

- * 如图2所示,将花洒软管的螺母端与龙头的出水接头连接,锥端螺母与手握花洒连接后,插到墙座上。

TEST RUN THE WATER

Check connections and plumbing for leak and the integral installation for tightness after you complete the installation job. Test run the water to check connections for leak after you have confirmed all components run properly.

试水

装后请检查各连接处是否连接紧密、管道是否有泄漏,整体安装是否牢固。确定各部良好后,可放水试用,检查旋接处是否漏水。

Note: First turn on the cold water supply then hot.

注意: 开启水源:一定要先开冷水,后开热水。

NOTE AFTER INSTALLATION

- 1 Clean the surface of the handshower accessories with soft towels
- 2 Open water supply after installation and operate it for two or three times and check for any possible leakage at all the joints. See if the column functions normally.

安装完毕注意事项

- 1 用软毛巾将花洒组件表面进行清洁。
- 2 安装完毕后请开启水源,操作2至3个来回,检查各连接处有无漏水,并检测各项功能是否正常。

CLEANSING AND MAINTENANCE

- 1 Please do not use rough abrasive or polisher to cleanse the shower surface while soft cloth with water and neutral detergent is preferred.
- 2 Do not use hard tools or corrosive detergents to cleanse the shower to avoid damage.

清洁与维护

- 1 清理花洒组件表面污垢时,请不要用粗糙的研磨剂或抛光剂来清洗,请用软布沾清水加中性清洁剂擦拭即可。
- 2 勿用坚硬的工具和强腐蚀性的清洁剂对花洒组件进行清洗,否则会对花洒组件造成伤害。

ONE-YEAR WARRANTY

This product is warranted for one year from date of purchase. Our company will be responsible for any problems caused by manufacturing defects provided with the invoice. Our company will, at its election, repair, replace or make appropriate adjustment where our company inspection discloses any such defects occurring in normal usage within one year after purchase.

The warranty, including products, is limited clearly. Our company is not responsible for other damages appeared after the warranty. Also, the warranty does not cover problems arising from labor charges, incorrect use and installation.

一年有限担保

本产品自购买之日起,对正常使用下的制造和质料上的瑕疵提供1年的质量担保。在质保期内,凭购货发票,我司将免费承担有制造质量引起的任何问题。经核查后,我司有权决定是修理,更换,还是做适当的调整。

这里的担保,包括产品都已明确地限制在该担保期内。我司对以后出现的损坏不负有任何责任。担保也不包括外观损伤,使用不当及未按说明书安装的损失。

Shanghai Kohler International Trade Co., Ltd.
Address: Room 324, Building No.2, No.106, Xin lin Rd,
Waigaoqiao Free Trade Zone, Shanghai
Tel: 400-920-8262
Postcode: 200131

上海科勒国际贸易有限公司
地址：上海市外高桥保税区新灵路106号2号楼324室
电话：400-920-8262
邮编：200131

