

BEFORE YOU BEGIN 安装之前

Please read these instructions carefully to familiarize your self with the required tools, materials, and installation sequences. Follow the sections that pertain to your particular installation. This will help you avoid costly mistakes. In addition to proper installation, read all operation and safety instructions.

All information in these instructions is based upon the latest product information available at the time of publication.

请仔细阅读说明书，熟悉所需工具、材料和安装顺序。参照相关章节完成您所需的安装，以避免昂贵的损失。除了正确的安装外，请详阅所有的操作和安全说明。
本说明书所含的一切资料均以印刷时所有的最新产品为准。

TOOLS AND MATERIALS REQUIRED

(Not Supplied)

- * Metal file (file cut)
- * Tape measure
- * Level
- * Hacksaw
- * Drill
- * Screwdriver
- * Safety glasses
- * Pipe wrench
- * Adjustable wrench
- * Installation kit (Supplied)

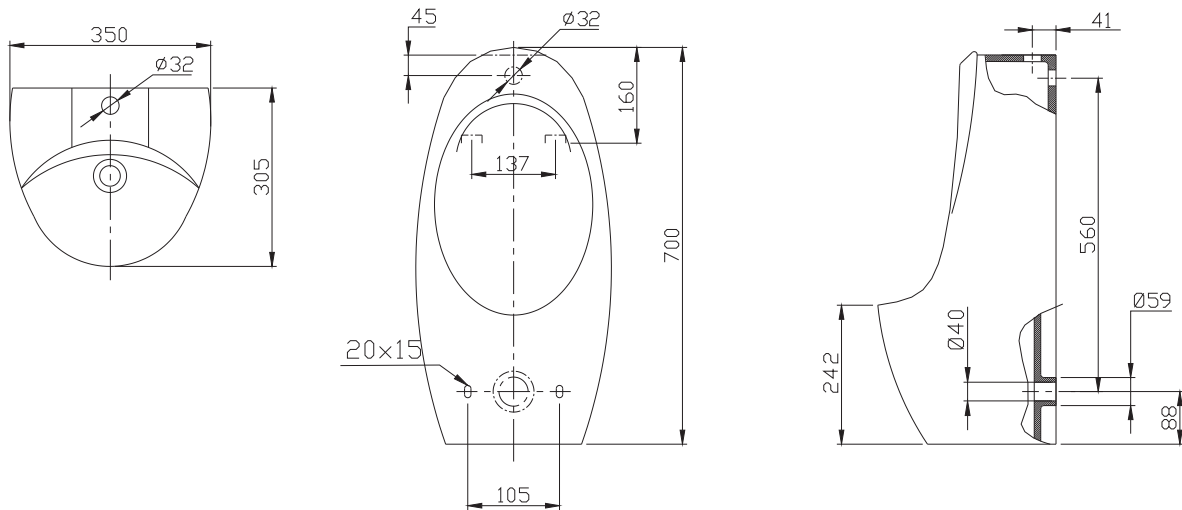
所需工具及材料

(不随货供应)

- * 锉刀
- * 卷尺
- * 水平尺
- * 钢锯
- * 电钻
- * 螺丝刀
- * 护眼镜
- * 喉管板钳
- * 活动板钳
- * 安装配件(已提供)

ROUGHING-IN

尺寸图



*The size is for reference only, please check the actual size before installation.

*此尺寸仅供参考，安装前请仔细测量实际产品。

INSTALL THE URINAL

- * Mark the centerline on the finished wall (See roughing-in).
- * Drill hanger holes at the mark on the wall.
- * Insert plastic sleeve into the holes, install two hangers (Supplied) onto the wall.
- * Install brass collar (Supplied) into the waste pipe, tighten the brass collar until snug and insert the rubber gasket.
- * Place the urinal on the hanger position, make sure the urinal outlet is set on the rubber gasket.
- * Place the ceramic outlet cover (supplied) onto the waster hole. The recommended location is as shown at right.

CAUTION: Risk of personal injury or product damage. Large urinals are very heavy. Get help lifting the urinal into place.

安装小便斗

- * 在完工墙上标出中心线(见尺寸图)。
- * 在墙上标记处钻挂钩孔。
- * 孔内插入塑料套管。
- * 将铜环(已提供)装入排污管，用力旋紧，插入橡胶垫圈。
- * 将小便斗装在挂钩上，确保出水口置于橡胶垫圈上。
- * 将随货配置的陶瓷滤器按照右图显示的方式放置进污口上。

警告：提防身体受伤或损坏产品。大型小便器十分沉重，须请人帮忙一起搬动及安放。

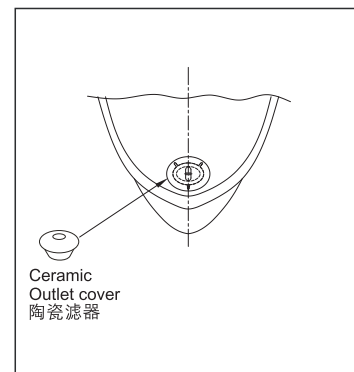
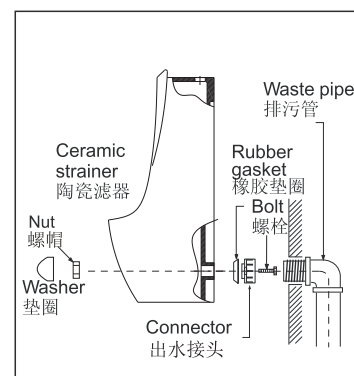
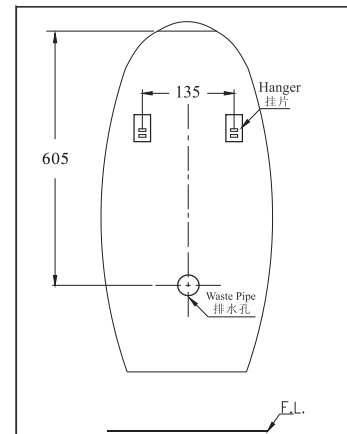
*The size is for reference only, please check the actual size before installation.

*此尺寸仅供参考，安装前请仔细测量实际产品。

CAUTION: Risk of product damage. Do not over tighten nuts. Over tightening may cause damage to the product.

警告：当心损坏产品。螺母不要过分紧固，旋得过紧会损坏产品。

- * Install the flush valve according to manufacturer's instruction.
- * Apply beads of sealant around the back edge of urinal, and clean up with a non-abrasive cleaner.
- * 根据制造商说明书安装冲水阀。
- * 在小便器背后边缘周围抹上密封胶，用非磨蚀性的清洁剂清理干净。



ONE-YEAR LIMITED WARRANTY

Karat warrants its product to be free of defects in material and workmanship for one (1) year from date of purchase. This warranty only applies to Karat product purchased and installed in mainland China.

Karat will, at its election, repair, replace, or make appropriate adjustment where Karat inspection discloses any such defects occurring in normal use during the warranty period. Karat is not responsible for removal or installation costs. Damage caused by accident, misuse, or abuse is not covered by this warranty. Improper care and cleaning will void the warranty.*

If you believe that you have a warranty claim, contact Karat through your Dealer, Plumbing Contractor, Home Center or E-tailer. Please be sure to provide all pertinent information regarding your claim, including a complete description of the problem, the product, model number, color, finish, the date the product was purchased and from whom the product was purchased. Also include your proof of purchase (original sales receipt).

KARAT AND/OR SELLER ARE PROVIDING THESE WARRANTIES IN LIEU OF ALL OTHER WARRANTIES, EXPRESSED OR IMPLIED, INCLUDING BUT NOT LIMITED TO THE IMPLIED WARRANTIES OF MERCHANTABILITY AND FITNESS FOR A PARTICULAR PURPOSE. KARAT AND/OR SELLER DISCLAIM ALL LIABILITY FOR SPECIAL, INCIDENTAL OR CONSEQUENTIAL DAMAGES.

This is Karat's exclusive written warranty.

一年有限担保

卡丽担保本产品自购买之日起一年内无材料及制造工艺上的瑕疵。本担保仅适用于在中国大陆购买并安装的卡丽产品。

在担保期内，如经卡丽核查后发现产品在正常使用情况下存在瑕疵，卡丽将自行决定对产品进行修理、更换、或是作适当的调整。卡丽不承担上述成本以外的人工成本、拆除或安装的成本。由于意外、过度使用或使用不当造成的产品损害不属于担保范围之内。不适当的保养和清洁将导致担保无效。

为获得担保服务，请通过您的经销商、承包商、家居中心或网络零售商联系我们。请确保提供所有相关的信息，包括完整的问题描述、型号、颜色、表面镀层、购买时间及销售方。请务必同时提供购买凭证（原销售发票）。

在法律允许的范围内，卡丽及/或销售商提供此担保以取代所有其他明示或默示的担保（包括但不限于产品的适销性和适用于特定目的的担保），并且卡丽及/或销售商对任何特殊、附带或衍生性损害赔偿不承担责任。

这是我们全部的书面担保。

Shanghai Chehe Trading Co.,Ltd.
Address: Floor 2, No.126,128,130 Jiang Chang San Road,
Jing An District, Shanghai.
Tel:400-920-8262 Postcode:200436

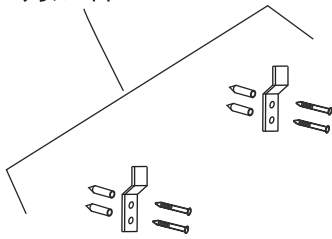
上海澈和贸易有限公司

地址：上海市静安区江场三路126、128、130号2层
电话：400-920-8262 邮编：200436

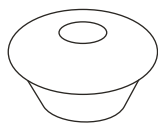
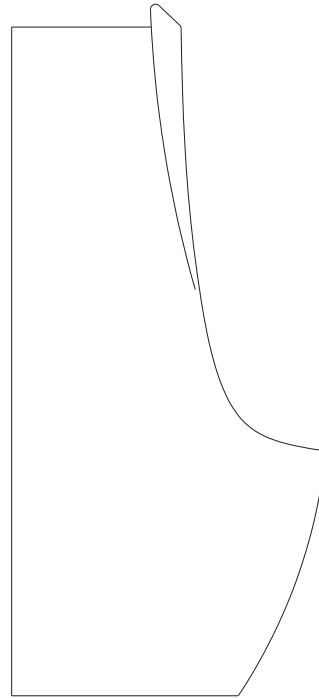
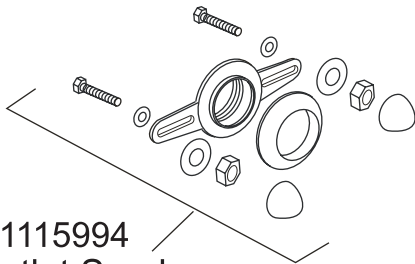
卡丽 KARAT®
维修零件图 SERVICE PARTS PAGE

OLIVE WALL-HUNG URINAL
TOP SPUD/REAR SPUD
欧乐芙挂墙座便器
上进水/后进水
99490T-2ET-WK/99490T-2ER-WK

1236130
Hanger set
挂钩组件



1115994
Outlet Spud
出水接头



1333744
Ceramic
Outlet cover
陶瓷过滤器