

BEFORE YOU BEGIN 安装之前

- * Please read these instructions carefully before starting the installation of urinal.
- * All information in these instructions is based on the latest product information available at the time of publication.
- * The wall and floor must be square, plumb and level.
- * 在安装小便器之前，请仔细阅读说明书。
- * 本说明书所含的一切资料均以印刷时所有的最新产品为准。
- * 墙面与地面必须成直角，垂直，水平。

TOOLS AND MATERIALS REQUIRED

(Not supplied)

- * Metal file (file cut)
- * Tape measure
- * Level
- * Hacksaw
- * Drill
- * Screwdriver
- * Safety glasses
- * Pipe wrench
- * Adjustable wrench
- * Installation kit (Supplied)

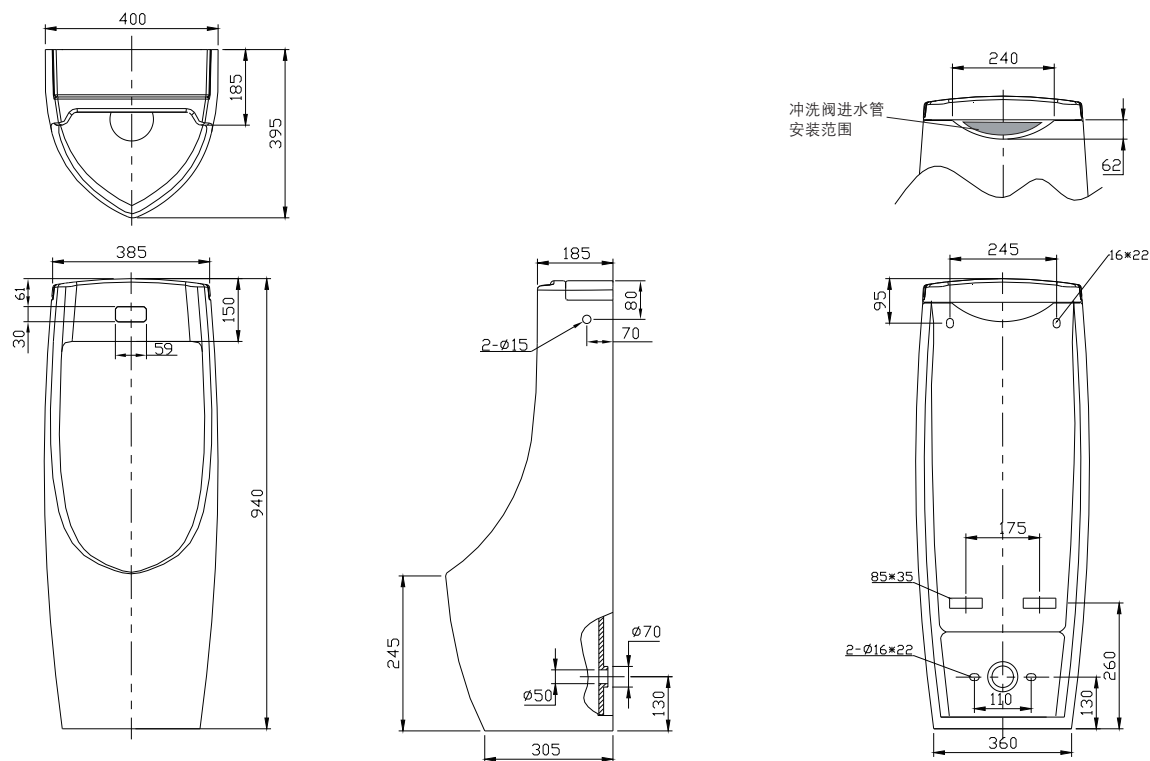
所需工具及材料

(不随货供应)

- * 锉刀
- * 卷尺
- * 水平尺
- * 钢锯
- * 电钻
- * 螺丝刀
- * 护目镜
- * 喉管板钳
- * 活动板钳
- * 安装配件 (已提供)

ROUGHING-IN

尺寸图



* This size is for reference only, please check the actual size before installation.

* 此尺寸仅供参考，安装前请仔细测量实际产品。

INSTALL THE URINAL

- * Mark the centerline, top bolt mounting holes and hanger mounting holes on the finished wall (See roughing-in).
- * Use an electric drill to drill holes at the mark on the wall.
- * Insert the plastic sleeve into the hole and install the hanger.
- * Install brass collar (Supplied) on the urinal, and tighten the bolts and connecting pipes.
- * Put the urinal on the hanger, align the connecting pipe with the drain pipe and insert it.
- * Install top bolts.
- * Install the ceramic cover fixing pieces on both sides of the ceramic, and tighten the bolts after the ceramic cover is fastened to the fixing pieces.

安装小便器

- * 在完工墙面上标出中心线、顶部螺栓安装孔及挂钩安装孔（见尺寸图）。
- * 使用电钻在墙面标记孔处钻孔。
- * 孔内插入塑料套管并安装挂钩。
- * 将马头组件（已提供）安装在小便器上，旋紧螺栓及连接管。
- * 将小便斗装在挂钩上，连接管对准排污管并插入。
- * 安装顶部螺栓。
- * 将陶瓷盖固定片安装在陶瓷两侧，待陶瓷盖扣住固定片后拧紧螺栓。

* This size is for reference only, please check the actual size before installation.

* 此尺寸仅供参考，安装前请仔细测量实际产品。

CAUTION: Risk of personal injury or product damage. Large urinal are very heavy. Get help lifting the urinal into place.

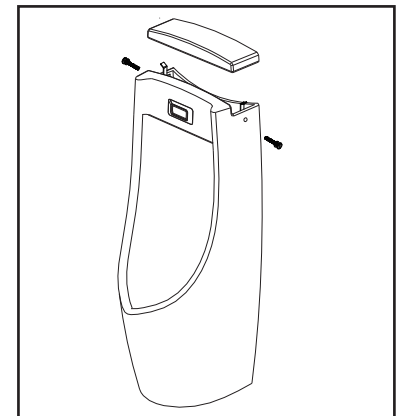
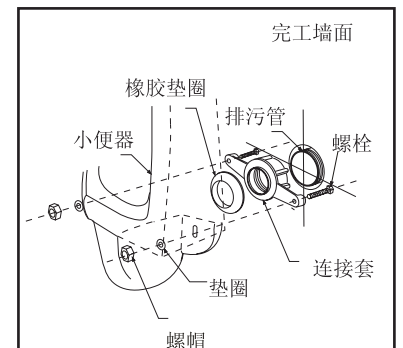
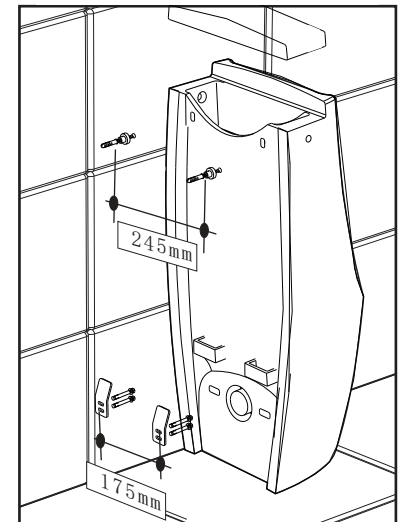
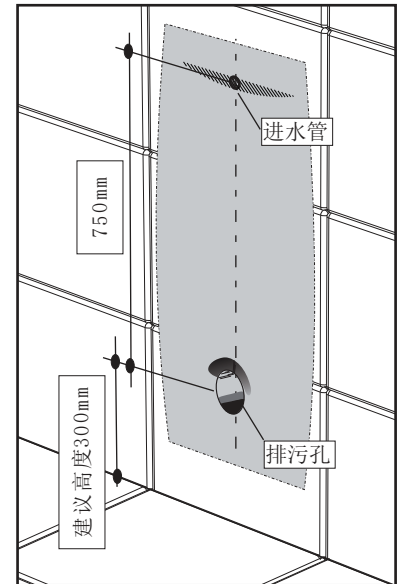
CAUTION: Risk of product damage. Do not over tighten nuts. Over tightening may cause damage to the product.

- * Apply a bead of sealant around the back edge of urinal and clean up with a non-abrasive cleaner.
- * Install the flush valve to the urinal and connect the water supplies according to the manufacturer's instructions.

小心： 提防身体受伤或损坏产品。大型小便器十分沉重，须请人帮忙一起搬动及安放。

小心： 当心损坏产品。螺母不可过度紧固。旋得过紧可能损坏产品。

- * 小便器背部边缘周围抹上一条密封胶，使用非腐蚀性的清洁剂清理干净。
- * 根据制造商的说明书安装冲水阀，联结供水管道。



Karat warrants its product to be free of defects in material and workmanship for one (1) year from date of purchase. This warranty only applies to Karat product purchased and installed in mainland China.

Karat will, at its election, repair, replace, or make appropriate adjustment where Karat inspection discloses any such defects occurring in normal use during the warranty period. Karat is not responsible for removal or installation costs. Damage caused by accident, misuse, or abuse is not covered by this warranty. Improper care and cleaning will void the warranty.*

If you believe that you have a warranty claim, contact Karat through your Dealer, Plumbing Contractor, Home Center or E-tailer. Please be sure to provide all pertinent information regarding your claim, including a complete description of the problem, the product, model number, color, finish, the date the product was purchased and from whom the product was purchased. Also include your proof of purchase (original sales receipt).

KARAT AND/OR SELLER ARE PROVIDING THESE WARRANTIES IN LIEU OF ALL OTHER WARRANTIES, EXPRESSED OR IMPLIED, INCLUDING BUT NOT LIMITED TO THE IMPLIED WARRANTIES OF MERCHANTABILITY AND FITNESS FOR A PARTICULAR PURPOSE. KARAT AND/OR SELLER DISCLAIM ALL LIABILITY FOR SPECIAL, INCIDENTAL OR CONSEQUENTIAL DAMAGES.

This is Karat's exclusive written warranty.

Shanghai Chehe Trading Co., Ltd.
Address: Floor 2, No.126,128,130 Jiang Chang San Road, Jing An District, Shanghai
Tel: 400-920-8262
Postcode: 200436

卡丽担保本产品自购买之日起一年内无材料及制造工艺上的瑕疵。本担保仅适用于在中国大陆购买并安装的卡丽产品。

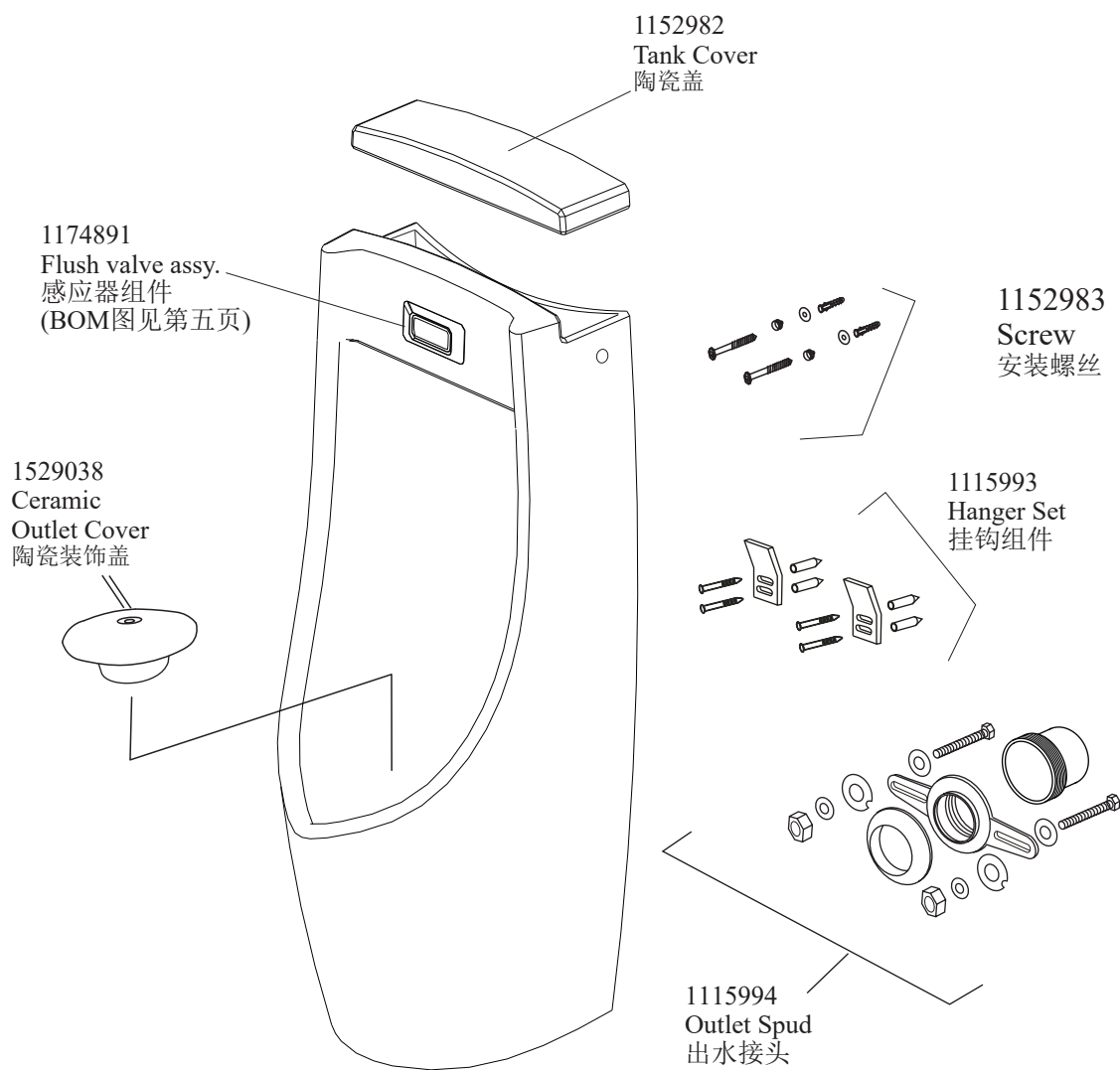
在担保期内，如经卡丽核查后发现产品在正常使用情况下存在瑕疵，卡丽将自行决定对产品进行修理、更换、或是作适当的调整。卡丽不承担上述成本以外的人工成本、拆除或安装的成本。由于意外、过度使用或或使用不当造成的产品损害不属于担保范围之内。不适当的保养和清洁将导致担保无效。

为获得担保服务，请通过您的经销商、承包商、家居中心或网络零售商联系我们。请确保提供所有相关的信息，包括完整的问题描述、型号、颜色、表面镀层、购买时间及销售方。请务必同时提供购买凭证（原销售发票）。

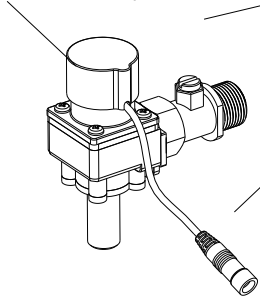
在法律允许的范围内，卡丽及/或销售商提供此担保以取代所有其他明示或默示的担保（包括但不限于产品的适销性和适用于特定目的的担保），并且卡丽及/或销售商对任何特殊、附带或衍生性损害赔偿不承担责任。

这是我们全部的书面担保。

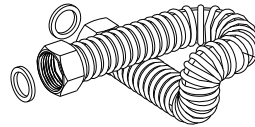
上海澈和贸易有限公司
地址：上海市静安区江场三路126、128、130号2层
电话：400-920-8262
邮编：200436



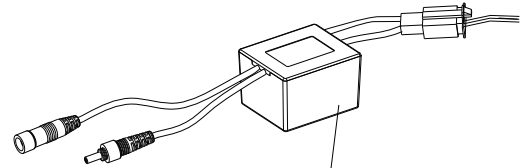
1143560
电磁阀
Solenoid valve assy



1174888
阀体
valve



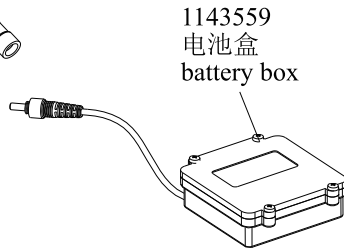
1130452
软管
hose



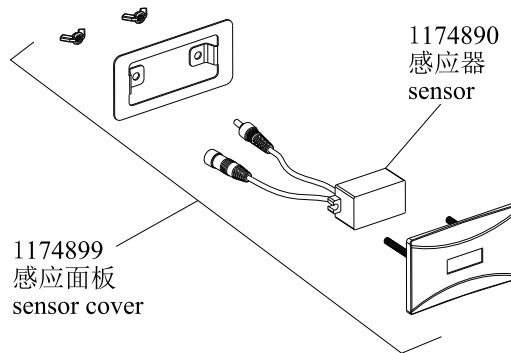
1174896
交流电源盒
AC powre unit



1130451
密封垫圈
gasket

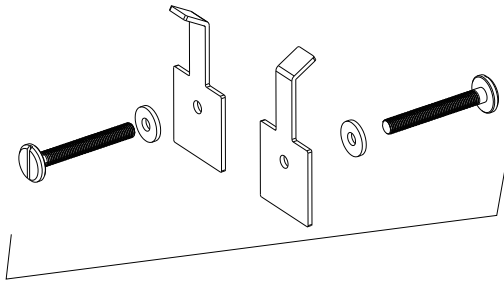


1143559
电池盒
battery box



1174890
感应器
sensor

1174899
感应面板
sensor cover



1173452
锁具
fixer