

### BEFORE YOU BEGIN 安装之前

#### NOTE

- \* Observe all local plumbing and building codes.
- \* Prior to installation, unpack the new sink and carefully inspect it for damage. Return the sink to its protective carton until you are ready to install it.
- \* These instructions are for installing the sink to masonry construction.
- \* The walls and floor must be square, plumb, and level.
- \* Fixture dimensions are nominal size.

#### 注意

- \* 留意当地所有给排水及建筑规定。
- \* 安装之前，先开启新拖把盆的包装，并小心检验新的拖把盆是否有损坏，再将拖把盆放回包装盒内，到安装时才取用。
- \* 这些说明适用于砖石建筑上安装厨盆。
- \* 墙面与地面必须成直角，垂直，水平。
- \* 产品尺寸均为标准值。

### TOOLS AND MATERIALS REQUIRED

(Not Supplied)

- \* Safety glasses
- \* Pencil
- \* Tape measure
- \* Plumbers putty
- \* Drill 8 mm. (5/16"), 16mm.(5/8").
- \* Adjustable wrench
- \* Drain set
- \* Expansion screws
- \* Hanger (Supplied)

### 所需工具及材料

(不随货供应)

- \* 护眼镜
- \* 铅笔
- \* 卷尺
- \* 水管油灰
- \* 电钻(钻头直径8毫米即5/16英寸或16毫米即5/8英寸)
- \* 活动板钳
- \* 排水组件
- \* 膨胀螺丝
- \* 金属挂钩组件(已提供)

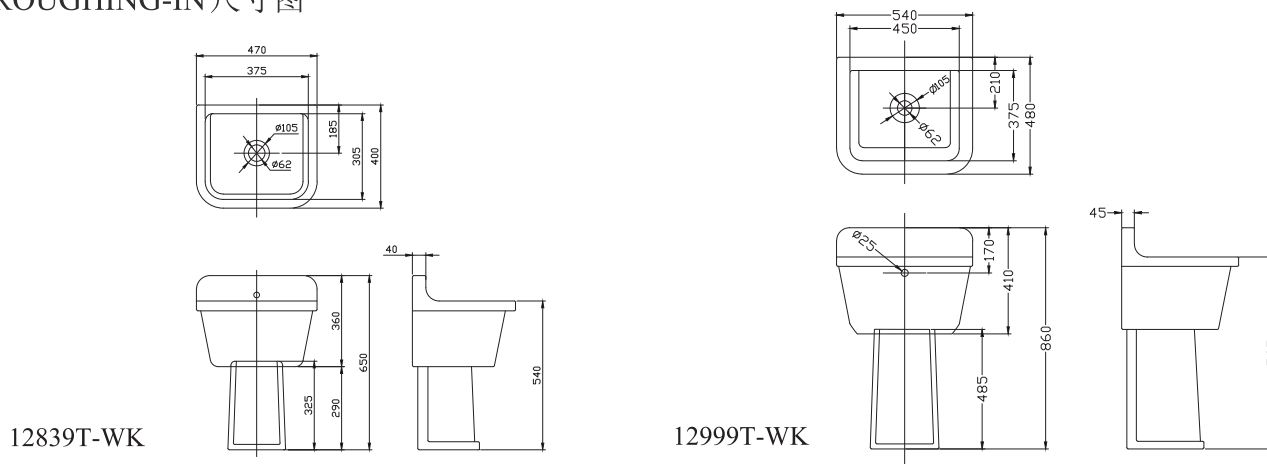
### ORDERING INFORMATION

Karat pedestal sink.....12839T-WK  
 Basin-Karat pedestal sink .....17137T-WK  
 Pedestal-Karat pedestal sink.....12844T-WK  
 Karat pedestal sink.....12999T-WK  
 Basin-Karat pedestal sink .....17161T-WK  
 Pedestal-Karat pedestal sink.....13002T-WK

### 订购信息

卡丽立柱式拖把盆（小） .....12839T-WK  
 脸盆—卡丽立柱式拖把盆 .....17137T-WK  
 立柱—卡丽立柱式拖把盆.....12844T-WK  
 卡丽立柱式拖把盆（大） .....12999T-WK  
 脸盆—卡丽立柱式拖把盆 .....17161T-WK  
 立柱—卡丽立柱式拖把盆.....13002T-WK

### ROUGHING-IN 尺寸图



(由于陶瓷产品的特性，以上尺寸仅供参考，请以实际产品为准)

**CAUTION:** Risk of personal injury or product damage. Large sink are very heavy.

Get help lifting the sink into place.

- \* Make sure the sink is level.
- \* Mark the screws holes on the floor, mark the hangers holes on the wall.  
(See roughing-in)
- \* Move the sink and pedestal from the area.
- \* Drill 8 mm (5/16") screws holes and hanger holes at the mark on the floor and the wall.
- \* Insert the plastic anchors into the holes.
- \* Install the hangers on the wall.
- \* Apply two beads of sealant around the waste pipe, spread the sealant evenly with a putty knife.
- \* Set the sink and the pedestal onto the waste pipe, so that the sink hang on the hangers.
- \* Install the washers and screws, tighten the screws until snug.
- \* Clean up with a non-abrasive cleaner.
- \* Install the faucet according to the manufacturer's instructions.

**小心:** 提防身体受伤或损坏产品。大型厨盆十分沉重, 须请人帮忙一起搬动及安放。

- \* 确保厨盆水平放置。
- \* 在地面上标出螺丝孔的位置, 在墙面上标出安装挂钩孔的位置。(参见尺寸图)
- \* 移开拖把盆和柱。
- \* 在地面和墙面的标记处钻螺丝孔和挂钩孔。
- \* 孔内插入塑料套管。
- \* 将挂钩安装到墙上。
- \* 排污管周围涂上密封胶, 用涂油灰刀将其抹平。
- \* 将拖把盆和柱放置在排污管上, 此时拖把盆挂在挂钩上。
- \* 安装垫片和螺丝, 用力上紧螺丝。
- \* 使用非磨蚀性的清洁剂清理干净。
- \* 根据制造商的说明书安装龙头。

## IMPORTANT CONSUMER INFORMATION

### CARE AND CLEANING

To keep your sink looking new, make sure you rinse it out thoroughly after each use.

**DO NOT USE ABRASIVES** on this product, as they will scratch and ruin the surface.

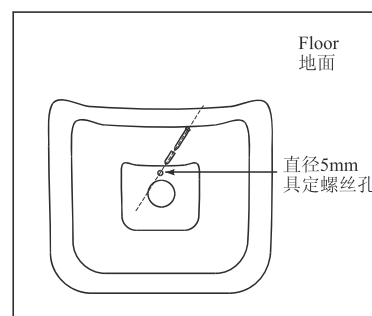
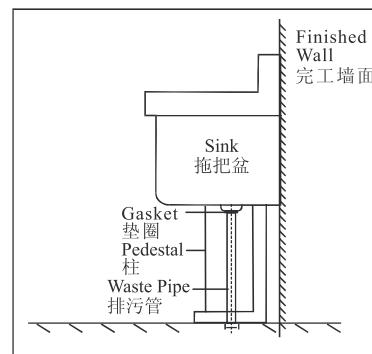
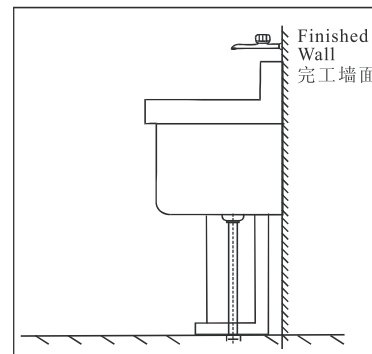
Stubborn stains, paint, or tar can be removed with turpentine or paint thinner.

### 用户须知

#### 保养与清洁

为保持厨盆光洁如新, 须确保每次使用后彻底冲洗干净。

**切勿使用磨蚀性的清洁剂**, 以免刮花及破坏厨盆的表面。要清除顽固污渍、油漆或柏油, 可使用松节油或油漆稀释剂。



## ONE-YEAR LIMITED WARRANTY

Karat warrants its product to be free of defects in material and workmanship for one (1) year from date of purchase. This warranty only applies to Karat product purchased and installed in mainland China.

Karat will, at its election, repair, replace, or make appropriate adjustment where Karat inspection discloses any such defects occurring in normal use during the warranty period. Karat is not responsible for removal or installation costs. Damage caused by accident, misuse, or abuse is not covered by this warranty. Improper care and cleaning will void the warranty.\*

If you believe that you have a warranty claim, contact Karat through your Dealer, Plumbing Contractor, Home Center or E-tailer. Please be sure to provide all pertinent information regarding your claim, including a complete description of the problem, the product, model number, color, finish, the date the product was purchased and from whom the product was purchased. Also include your proof of purchase (original sales receipt).

KARAT AND/OR SELLER ARE PROVIDING THESE WARRANTIES IN LIEU OF ALL OTHER WARRANTIES, EXPRESSED OR IMPLIED, INCLUDING BUT NOT LIMITED TO THE IMPLIED WARRANTIES OF MERCHANTABILITY AND FITNESS FOR A PARTICULAR PURPOSE. KARAT AND/OR SELLER DISCLAIM ALL LIABILITY FOR SPECIAL, INCIDENTAL OR CONSEQUENTIAL DAMAGES.

**This is Karat's exclusive written warranty.**

### 一年有限担保

卡丽担保本产品自购买之日起一年内无材料及制造工艺上的瑕疵。本担保仅适用于在中国大陆购买并安装的卡丽产品。

在担保期内，如经卡丽核查后发现产品在正常使用的情况下存在瑕疵，卡丽将自行决定对产品进行修理、更换、或是作适当的调整。卡丽不承担上述成本以外的人工成本、拆除或安装的成本。由于意外、过度使用或或使用不当造成的产品损害不属于担保范围之内。不适当的保养和清洁将导致担保无效。

为获得担保服务，请通过您的经销商、承包商、家居中心或网络零售商联系我们。请确保提供所有相关的信息，包括完整的问题描述、型号、颜色、表面镀层、购买时间及销售方。请务必同时提供购买凭证（原销售发票）。

在法律允许的范围内，卡丽及/或销售商提供此担保以取代所有其他明示或默示的担保（包括但不限于产品的适销性和适用于特定目的的担保），并且卡丽及/或销售商对任何特殊、附带或衍生性损害赔偿不承担责任。

这是我们全部的书面担保。

Shanghai Chehe Trading Co.,Ltd.  
Address: Floor 2, No.126,128,130 Jiang Chang San Road,  
Jing An District, Shanghai.  
Tel:400-920-8262      Postcode:200436

上海澈和贸易有限公司

地址：上海市静安区江场三路126、128、130号2层  
电话：400-920-8262      邮编：200436

