

卡丽 KARAT®

安装说明书 INSTALLATION INSTRUCTIONS

MILANO SEMI-RECESSED LAVATORY SINGLE FAUCET HOLE 美乐嵌入式脸盆单孔 12491T-M1-WK

切割图/安装说明书

CUT-OUT TEMPLATE/INSTALLATION INSTRUCTION

安装之前

- 台上式脸盆可使用此说明书。请遵照适合您安装需要的说明进行。
- 根据您所需的安装地及安装风格。您可选择水龙头靠墙安装或台上式安装。建议您使用靠墙式龙头。
- 安装之前，先开启新脸盆的安装，并小心检查新的脸盆是否有损坏，如有损坏请直接和供货商或科勒公司售后服务人员取得联系。如检查没有问题，请将脸盆放回包装盒内。到安装时才取用。
- 本说明书所含一切资料，均以印刷时所有的最新产品为准。科勒公司保留随时更改产品特性、包装或供应情况的权利，恕不另行通知。
- 此说明书包括重要的护理、清洁及保修资料请将此说明书交最终用户留存。
- 卡丽洗脸盆是根据卡丽内部标准制造。与卡丽洗脸盆配件相配，其他洗脸盆配件可能与之不相配。

所需工具及材料 (不随货供应)

- 密封胶
- 安装模板
- 安全眼镜
- 炭笔
- 剪刀
- 卷尺
- 孔锯
- 匙孔锯或军刀状锯
- 电钻 (直径为13mm的钻锥或更大的钻锥)
- 螺丝刀

安装台面

将模板放在台面上。

安装靠墙式水龙头：保证出水嘴悬于脸盆池上有足够的距离。需要出水嘴的最小长度资料，可参阅尺寸说明。

安装台上式水龙头：请确认以下信息：

- 首先确认龙头出水嘴的高度适合本产品。
- 请确认龙头和墙面或防水板之间的距离足够满足提拉杆的工作需要。
- 同时龙头和盆安装后不干涉，建议安装好的龙头和盆之间的隙隙为25毫米。

注意：在中国一般不会单独安装防水板，安装台盆的后端即为“防水板”。需要了解所需的隙隙，请参阅水龙头安装说明书，并用一软性铅笔标出要安装水龙头的孔的位置。

用一软性铅笔在台面上沿模板划线。仔细的沿软性铅笔切割开口。

小心：提防身体受伤或损坏产品。大型脸盆相当重，需请人帮忙一起搬动及安放。

暂将脸盆放入台面切口的位置。能看见商标。此商标应位于脸盆池内，靠近盆池，接近水龙头的地方。

检查脸盆，水龙头及防水板或后墙之间的间距是否适当。

将脸盆从切口处移开并将其放入起保护作用的纸箱中。不可将脸盆竖立或将排水一侧放在地上。

钻好水龙头安装孔。

依照制造商的说明书，将水龙头安装在台面上。

依照附在排水装置中的说明书，将排水装置安装在脸盆上。安装排水装置时，请使用足够的清淤型密封胶。

对于瓷砖，木材或者其他多孔材料，请使用防水密封胶涂抹在台面的切口处。遵守制造商提供的一切说明和警告。待密封胶干后，方可进行安装。请使用50/50异丙醇与水的混合物来清洁切口周围的台面，然后用一干净的抹布擦干。

注意：当温度至少为10摄氏度时，才可使用封边胶。使用封边胶的最佳温度范围为21摄氏度至38摄氏度。

将封边胶轻轻地涂在台面的四周，使其横靠在切口洞上。在拆除支撑材料前，请调整一下封边胶涂抹的地方，擦去多余的封边胶，仔细地支撑封边胶的材料移开。

BEFORE YOU BEGIN

- Use these instructions for above-counter installation. Please follow the instructions that apply to your installation.
- You can choose between a wall-mount or countertop faucet installation, depending upon the setting and styling you desire. We recommended a wall-mount faucet.
- Prior to installation, unpack the new lavatory and carefully inspect it for damage. Please contact lavatory seller or Karat service if there are damages on the lavatory. If the lavatory is ok Please return the lavatory to its protective carton until you are ready to install it.
- All information in these instructions is based on the latest product information available at the time of publication. Kohler China reserves the right to make changes in product characteristics, packaging or availability at any time without notice.
- These instructions contain important care, cleaning, and warranty information please leave these instructions for the end consumer.
- Karat lavatory is made according to karat standard. Karat lavatory can match karat lavatory fittings. Any other lavatory fittings may not fit for karat lavatory.

TOOLS AND MATERIALS REQUIRED (not supplied)

- Sealant
- Template
- Safety glasses
- Pencil
- Scissors
- Tape measure
- Hole saw
- Keyhole saw or sabar saw
- Dill(1/2 dia. Drill bit or larger)
- Screwdriver

COUNTERTOP INSTALLATION

Position the template on the countertop.

FOR WALL-MOUNT FAUCETS: Be sure to provide sufficient spout overhang into the lavatory basin. See the roughing-in notes for minimum spout length information.

FOR COUNTERTOP FAUCETS: Pay special attention to these information as below:

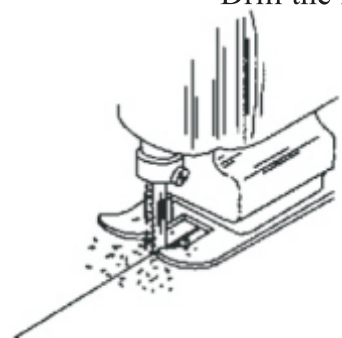
- Please confirm the height of faucet can match the lavatory.
- Please confirm the room between faucet and finished wall or backsplash can meet lift rod requirement.
- We recommend clearance of at least 25mm between faucet and lavatory to avoid the touch between faucet and lavatory after installation.

NOTE: In china installation will not have separate backsplash. The back wall is the “backsplash”. Refer to the faucet installation instruction for required clearance and mark the preferred faucet hole locations using a soft lead pencil. Trace the template on the countertop using a soft lead pencil. Cut out the opening carefully following the pencil line.

CAUTION: Risk of personal injury or product damage. Large lavatories are very heavy. Get help lifting the lavatory into place. Temporarily position the lavatory in the countertop cutout so the logo is visible. The logo is located inside the basin, near the rim, and should be positioned near the faucet. Verify proper clearance between the lavatory, faucet, and backsplash.

Remove the lavatory from the countertop cutout, and return it to its protective carton. Do not stand or store the lavatory on the drain surface.

Drill the faucet installation holes.



Install the faucet to the countertop according to the manufacture's instructions.

Install the drain to the lavatory according to the installation instructions included with the drain. Apply a sufficient amount of clear silicone sealant when you install the drain.

For tile, wood, or other porous materials, apply waterproof sealant around the cutout area of the countertop surface. Follow all manufacturer's instructions and warnings. Allow the sealant to dry before proceeding. Use a 50/50 mixture of isopropyl alcohol and water to clean the countertop surface around the cutout area. Wipe dry with a clean cloth.

NOTE: Install the adhesive sealant when the temperature is at least 10 degree Celsius. The preferred temperature range to apply the adhesive sealant is 21 Degree Celsius to 38 Degree Celsius.

Loosely apply the adhesive sealant around the entire countertop cutout so it is alongside the cutout hole. Adjust the placement of the sealant before removing the backing material. Carefully remove the adhesive seal backing material.

小心：提防身体受伤或损坏产品。大型脸盆相当重，需请人帮忙一起搬动及安放。

小心地将脸盆放入台面切口适当位置，向下按牢。连接水龙头供水管。连接排水装置。开启水龙头阀门，检查有无渗漏。

用非腐蚀性的清洁剂来清洗。

用户须知 (护理和清洁)

为保持脸盆光洁如新，须确保每次使用后彻底冲洗干净，切勿使用腐蚀性的清洁剂，以免刮花及破坏脸盆的表面。要清除顽固污垢，油漆或柏油，可使用松油或油漆稀释剂。

有限担保

卡丽担保本产品在日常使用的情况下自购买之日起三年内无材料及制造工艺上的瑕疵。本担保仅适用于在中国大陆购买并安装的卡丽产品。

在上述三年担保期内，如经卡丽核查后发现产品在正常使用的情况下存在瑕疵，卡丽将自行决定对产品进行修理、更换、或是作适当的调整。卡丽不承担上述成本以外的人工成本、拆除或安装的成本。由于意外、过度使用或使用不当造成的产品损害不属于担保范围之内，不适当的保养和清洁将导致担保无效。

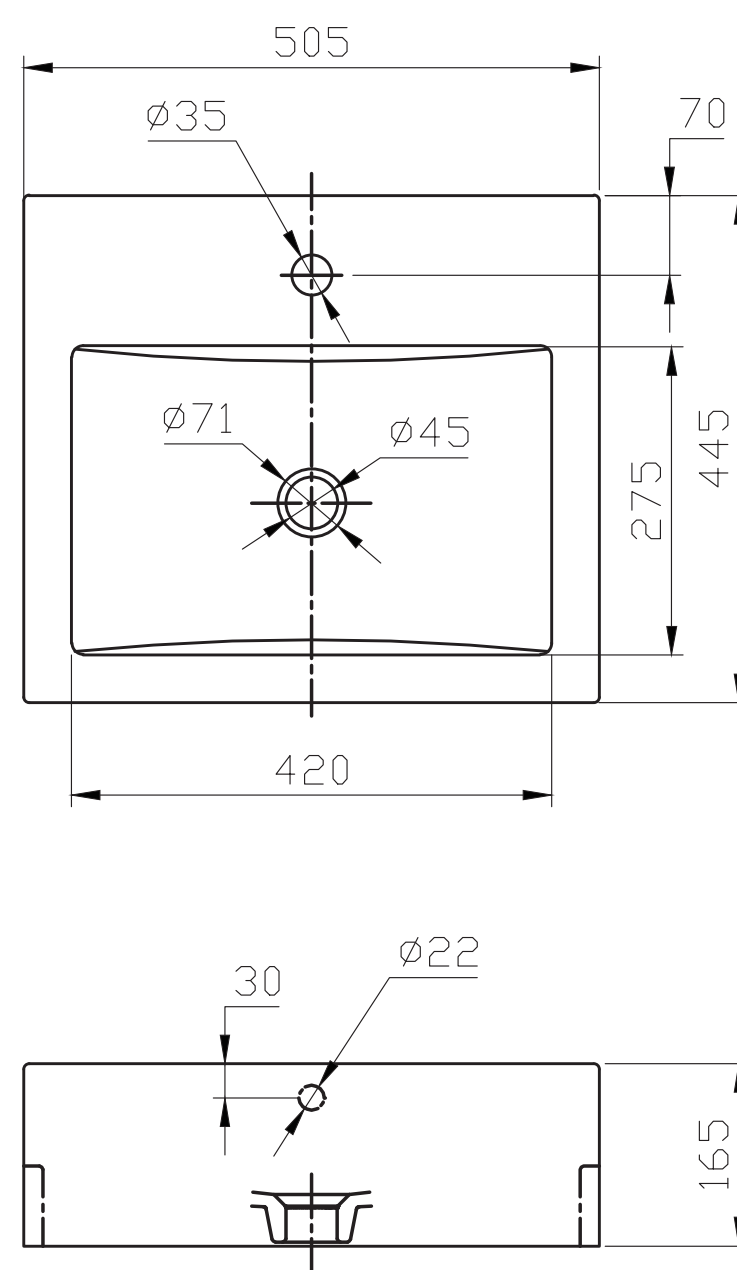
如产品被用于商业目的，则卡丽担保该产品自购买之日起一年内无材料及制造工艺上的瑕疵。除担保期限以外，本担保的其他条款均适用。

为获得担保服务，请通过您的经销商、承包商、家居中心或网络零售商联系我们。请确保提供所有相关的信息，包括完整的问题描述、型号、颜色、表面镀层、购买时间及销售方。请务必同时提供购买凭证 (原销售发票)。

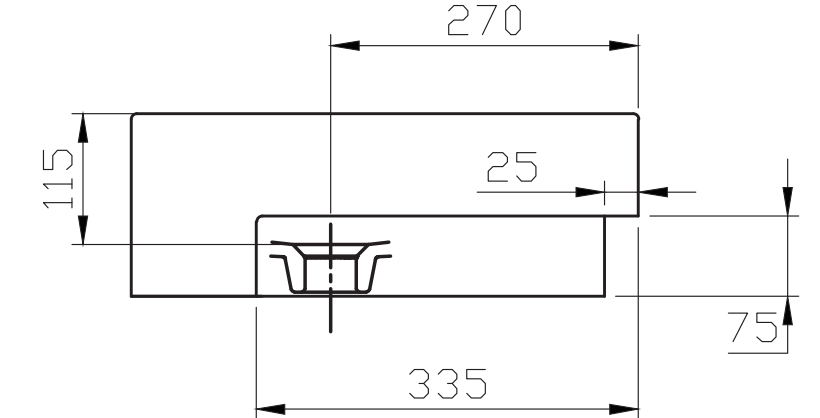
在法律允许的范围内，卡丽及/或销售商提供此担保以取代所有其他明示或默示的担保 (包括但不限于产品的适销性和适用于特定目的的担保)，并且卡丽及/或销售商对任何特殊、附带或衍生性损害赔偿不承担责任。

这是我们全部的书面担保。

尺寸图 单位:毫米



ROUGH-IN UNIT:mm



*The size is for reference only, please check the actual size before installation.

*此尺寸仅供参考，安装前请仔细测量实际产品。

Shanghai Chehe Trading Co.,Ltd.
Address:Floor 2, No.126,128,130 Jiang Chang
San Road, Jing An District, Shanghai.
Tel:400-920-8262
Postcode:200436

上海澈和贸易有限公司
地址：上海市静安区江场路126、128、130号2层
电话：400-920-8262
邮编：200436

480

盆边沿
RIM OF LAVATORY

台面边沿
outside rim of
the countertop

MILANO SEMI-RECESSED LAVATORY
SINGLE FAUCET HOLE
美乐嵌人式脸盆
单孔
12491T-M1-WK
CUT-OUT TEMPLATE

沿此线切割
CUT ALONE THIS LINE

折叠线
FOLDING LINE

320

75